



20 DFU AIR ADMITTANCE VALVE SPECIFICATIONS

Air admittance valves (AAVs) are one way valves that allow air in, to vent or equalize pressure in waste pipes, without allowing gases, odors, or liquid out. Ayrlett brand AAVs have been tested by an independent U.S. lab 500,000 cycles, in temperatures ranging from -40° to +150°F, without a single failure.

| 2" AIR ADMITTANCE VALVES Model AB | | |
|-----------------------------------|--------|-----------------------------|
| PVC | ABS | Connection |
| P50 | A-55 | 2" – 1-1/2" Solvent Weld |
| PT-300 | AT-500 | 2" – 1-1/2" Adapter Bushing |
| | FRV5 | 2" Male Pipe Thread |

Installation Instructions

Note: Check local plumbing codes prior to installation.

1. Install AAV in upright position not to exceed 15 degrees from plumb.
2. Carefully glue the AAV to the plumbing system using approved solvent cements. (DO NOT allow excess glue to enter AAV).
3. When using threaded adapter, carefully glue adapter into AAV. (DO NOT allow excess glue to enter AAV). Place Teflon tape on threads. Firmly hand-tighten the threaded adapter to AAV.
4. Install AAV in ventilated location that allow for inspection & unrestricted air flow.
5. Install AAV at Least 4" above the horizontal drain(s) or trap(s) to be vented.
6. AAV must be installed within four branch intervals from top of primary (main) vent.
7. When installed in attic, AAV must be at least 6" above insulation.
8. AAV cannot be installed as a relief vent or where exposed to outdoor elements.
9. When venting a washing machine, the standpipe should be a minimum of 2" and the horizontal drainpipe a minimum of 3".



Materials

- PVC, ABS, Fire Retardant ABS (V5 Rated)

Reference to Model Plumbing Codes

- International Plumbing Code (IPC) 2006
- International Residential Code (IRC) 2006
- Building Official Code Administration (BOCA) 1993
- Uniform Plumbing Code (UPC 2006) Section 301.2
- 2006 National Standards Plumbing Code (NSPC) Appendix E8
- National Plumbing Code of Canada 2005

| SIZING CHART | |
|------------------------|-----------|
| Horizontal Branch Size | Max DFU's |
| 1-1/2" | 3 |
| 2" | 6 |
| 3" | 20 |
| 4" | 160 |

Features

- Rated 20 DFU
- 100% functionally Tested



Patent No. 7,445,022
Patent Pending



www.ayrlett.com
sales@ayrlett.com

Phone: 877.99.ayrlett
Fax: 208.465.6786

PO Box 3191
Nampa, ID 83653



50mm 20 DFU AIR ADMITTANCE VALVE SPECIFICATIONS

Air admittance valves (AAVs) are one way valves that allow air in, to vent or equalize pressure in waste pipes, without allowing gases, odors, or liquid out. Ayrlett brand AAVs have been tested by an independent U.S. lab 500,000 cycles, in temperatures ranging from -40°C to +65°C, without a single failure.

| 50mm AIR ADMITTANCE VALVES Model AB | |
|-------------------------------------|-------------------|
| PVC | Connection |
| P50 | 50mm Solvent Weld |



Materials

- PVC housing

Reference to Model Plumbing Codes

- International Plumbing Code (IPC) 2006
- International Residential Code (IRC) 2006
- Building Official Code Administration (BOCA) 1993
- Uniform Plumbing Code (UPC 2006) Section 301.2
- 2006 National Standards Plumbing Code (NSPC) Appendix E8
- National Plumbing Code of Canada 2005

Features

- Rated 20 DFU
- 100% functionally Tested
- Lifetime Warranty

Installation Instructions

Note: Check local plumbing codes prior to installation.

10. Install AAV in upright position not to exceed 15 degrees from plumb.
11. Carefully glue the AAV to the plumbing system using approved solvent cements. (DO NOT allow excess glue to enter AAV).
12. When using threaded adapter, carefully glue adapter into AAV. (DO NOT allow excess glue to enter AAV). Place Teflon tape on threads. Firmly hand-tighten the threaded adapter to AAV.
13. Install AAV in ventilated location that allow for inspection & unrestricted air flow.
14. Install AAV at Least 4" above the horizontal drain(s) or trap(s) to be vented.
15. AAV must be installed within four branch intervals from top of primary (main) vent.
16. When installed in attic, AAV must be at least 6" above insulation.
17. AAV cannot be installed as a relief vent or where exposed to outdoor elements.
18. When venting a washing machine, the standpipe should be a minimum of 50mm and the horizontal drainpipe a minimum of 76mm.

SIZING CHART

| Horizontal Branch Size | Max DFU's |
|------------------------|-----------|
| 32/40mm | 3 |
| 50mm | 6 |
| 50mm | 20 |
| 63mm | 160 |



Patent No. 7,445,022
Patent Pending



www.ayrlett.com
sales@ayrlett.com

Phone: 877.99.ayrlett
Fax: 208.465.6786

PO Box 3191
Nampa, ID 83653



OUTLET BOX WITH 20 DFU AIR ADMITTANCE VALVE AND LOUVERED COVER

The Ayrlett®AAV box from comes with your choice of a PVC or ABS 20 DFU air admittance valve mounted in a utility box ready to install. The box also comes standard with a 1-1/2" -2" adapter, a protective plastic cover to prevent debris from entering the vent during installation, and a sturdy louvered cover.

| OUTLET BOXES | | |
|--------------|-----------|--------------------------|
| PVC AAV | ABS AAV | Connection |
| PT-BOX-LC | AT-BOX-LC | 2" – 1-1/2" Solvent Weld |



ROUGH-IN DIMENSIONS
4" W X 3-1/2" D X 5-1/2"

Materials

- PVC or ABS AAV
- PVC box, frame, and louvered cover

Reference to Model Plumbing Codes

- International Plumbing Code (IPC) 2006
- International Residential Code (IRC) 2006
- Building Official Code Administration (BOCA) 1993
- Uniform Plumbing Code (UPC 2006) Section 301.2
- 2006 National Standards Plumbing Code (NSPC) Appendix E8
- National Plumbing Code of Canada 2005

Features

- Rated 20 DFU
- 2" – 1-1/2" solvent weld adapter
- Protective plastic cover
- Frame accommodates up to 1-1/2" drywall
- 100% functionally Tested
- Lifetime Warranty

Installation Instructions

Note: Check local plumbing codes prior to installation.

19. Install AAV in upright position not to exceed 15 degrees from plumb.
20. Carefully glue the AAV to the plumbing system using approved solvent cements. (DO NOT allow excess glue to enter AAV).
21. When using threaded adapter, carefully glue adapter into AAV. (DO NOT allow excess glue to enter AAV). Place Teflon tape on threads. Firmly hand tighten the threaded adapter to AAV.
22. Install AAV in ventilated location that allow for inspection & unrestricted air flow.
23. Install AAV at Least 4" above the horizontal drain(s) or trap(s) to be vented.
24. AAV must be installed within four branch intervals from top of primary (main) vent.
25. When installed in attic, AAV must be at least 6" above insulation.
26. AAV cannot be installed as a relief vent or where exposed to outdoor elements.
27. When venting a washing machine, the standpipe should be a minimum of 2" and the horizontal drainpipe a minimum of 3".



ANSI/NSF

| SIZING CHART | |
|------------------------|-----------|
| Horizontal Branch Size | Max DFU's |
| 1-1/2" | 3 |
| 2" | 6 |
| 3" | 20 |
| 4" | 160 |

Patent No. 7,445,022
Patent Pending



www.ayrlett.com
sales@ayrlett.com

Phone: 877.99.ayrlett
Fax: 208.465.6786

PO Box 3191
Nampa, ID 83653



A4-MAX™ 500 DFU AIR ADMITTANCE VALVE SPECIFICATIONS

Air admittance valves (AAVs) are one way valves that allow air in, to vent or equalize pressure in waste pipes, without allowing gases, odors, or liquid out. Ayrlett brand AAVs have been tested by an independent U.S. lab 500,000 cycles, in temperatures ranging from -40° to +150°F, without a single failure.



Recommended Installation Instructions

Note: Check local plumbing codes prior to installation.

1. Install AAV in upright position, not to exceed 15° from plumb, on a pipe 6" in size or less.
2. Use with approved coupling or adapter.
3. Install AAV in ventilated area that allows for inspection and unrestricted air flow.
4. A. Single Fixture and Branch Venting:
Install at least 4" above the weir of the fixture trap.
B. Stack Venting:
Install at least 6" above the flood level of the highest fixture.
5. A minimum of one vent per building must extend to open atmosphere for every building drainage system.

Material:

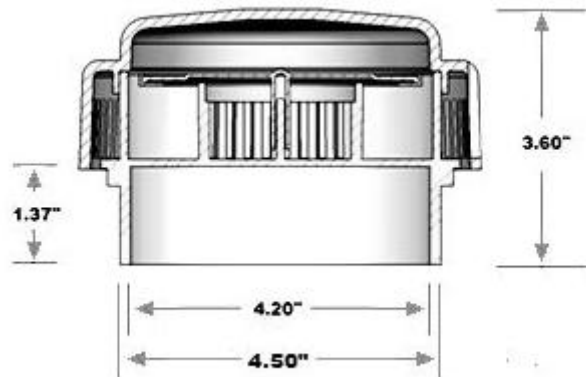
- PVC

Standards:

- ASSE 1050 (revised 2002)
- 1051 A & B (revised 2002)
- Components meet NSF14 Requirements

Features:

- Rated 500 DFUs
- 100% functionally tested
- Lifetime Warranty



| Horizontal Branch Size | Max DFUs |
|------------------------|----------|
| 3" | 20 |
| 4" | 160 |
| Stack Size | Max DFUs |
| 3" | 72 |
| 4" | 500 |

Patent No. 7,445,022
Patent Pending



1050,
1051 A & B



www.ayrlett.com
sales@ayrlett.com

Phone: 877.99.ayrlett
Fax: 208.465.6786

PO Box 3191
Nampa, ID 83653



Ayr-Filter™ ACTIVATED CARBON FILTER SPECIFICATIONS

The Ayr-Filter™ is an activated carbon filter that eliminates offensive odors from building vents and septic systems. The filter is easy to install and requires no special tools, permits, or certifications.

Ayr-Filter™ Installation Instructions



1. Install filter in upright position.
2. Use with approved coupling or adapter.
3. Install in accessible external location.
4. Pull on the edge of the cap to remove it from the base.
5. Remove filter cartridge from the bag and install in the filter base black side up.
6. Replace filter cartridge a minimum of every 2-years. In high odor applications the filter should be changed more frequently or whenever odor is evident.
7. Mark the installation date with permanent ink on the label provided. Affix label to the cap.

Materials:

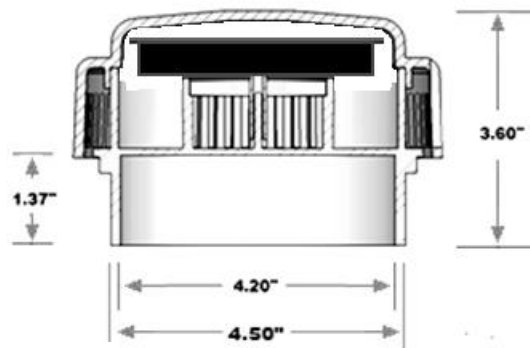
- UV Resistant PVC Housing
- Activated Carbon Filter Cartridge

Features:

- Installs easily on existing pipes
- No special tools required
- No special permits required
- No special certifications required
- Filter cartridge lasts up to 2-yrs

Where to use:

- Septic systems
- Open vents - existing or new builds
- External installations only



Replacement Cartridge



www.ayrlett.com
sales@ayrlett.com

Phone: 877.99.ayrlett
Fax: 208.465.6786

PO Box 3191
Nampa, ID 83653



Valley Forge™

Independence Line

Valley Forge™ Washing Machine Box with ¼ Turn stop valves.



Made in the USA!

All Ayrlett® Valley Forge™ products are made in the USA!

FDA/NSF Approved Materials:

- Acetal Valve and Water Hammer Arrestor
- Buna N O-rings
- FDA approved silicone lubrication

Listings:

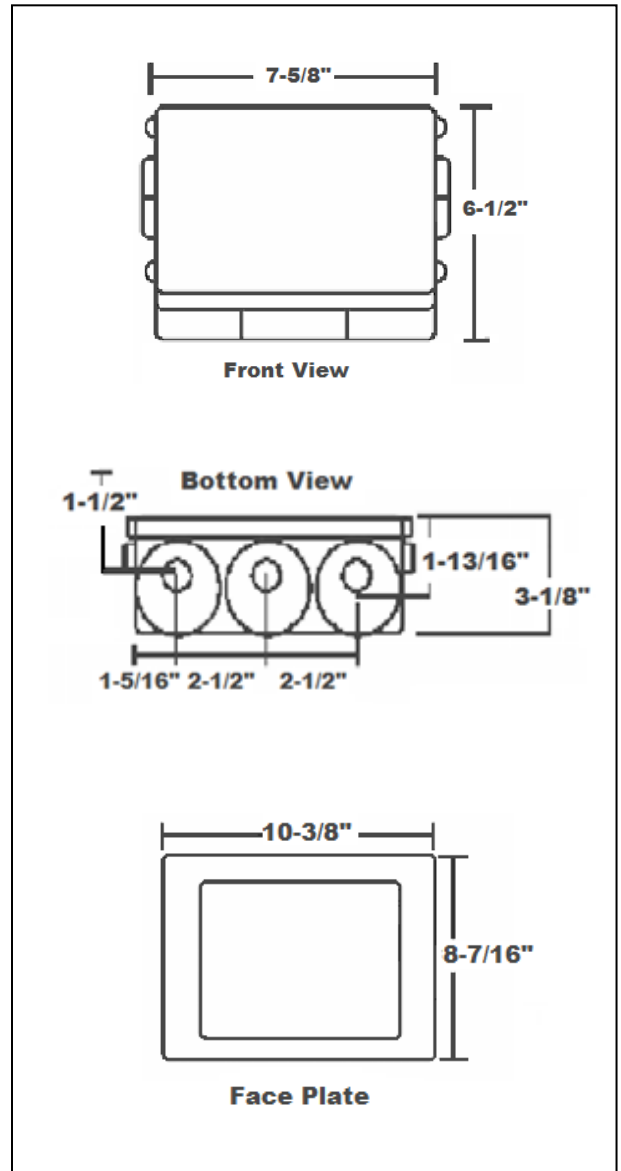
- NSF 61
- QAI - Complies with Universal Plumbing Code
- Box is UPC Compliant and listed by SGS
- Arrestors are listed by ICC ASSE 1010
- Meets all low lead requirements
- ASME A112.18.1

Options:

- Available with or without water hammer arresters.

Connection Type:

- Threaded MIP
- CPVC
- Genuine UPONOR® Wirsbo™ Connect
- Genuine VIEGA PEXConnector



Patent(s) Pending



www.ayrlett.com
sales@ayrlett.com

Phone: 877.99.ayrlett
Fax: 208.465.6786

PO Box 3191
Nampa, ID 83653



Valley Forge™

Independence Line

Valley Forge™ Ice Maker Box with 1/4 Turn stop valve.



Made in the USA!

All Ayrlett® Valley Forge™ products are made in the USA!

FDA/NSF Approved Materials:

- Acetal Valve and Water Hammer Arrester
- Buna N O-rings
- FDA approved silicone lubrication

Listings:

- NSF 61
- QAI – Complies with Universal Plumbing Code
- Box is UPC compliant and listed by SGS
- Arrestors are listed by ICC
- Meets all low lead requirements
- ASSE 1010
- ASME A112.18.1

Options:

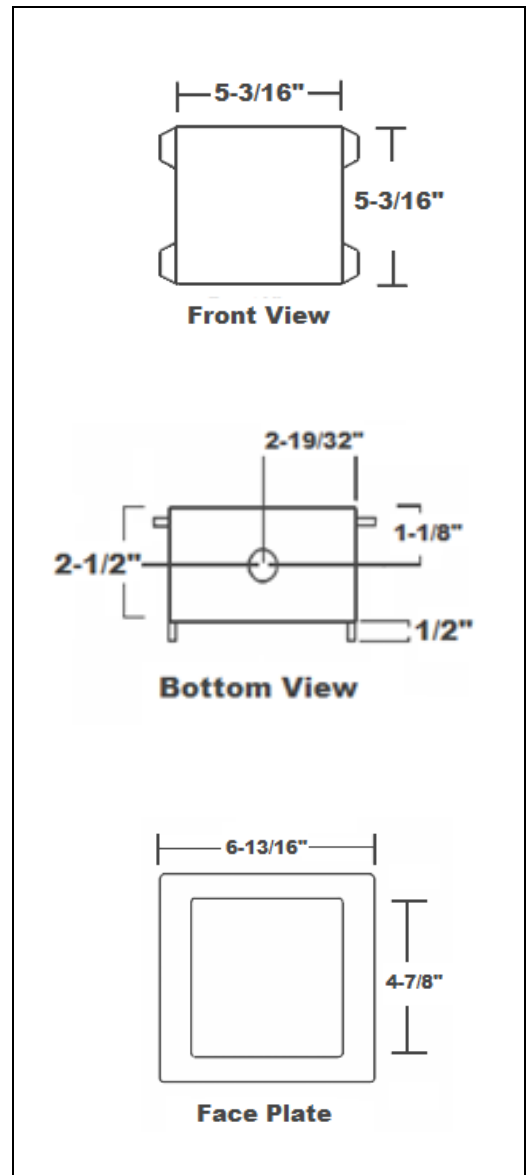
- Available with or without water hammer arresters.

Connection Type:

- Threaded MIP
- CPVC
- Genuine UPONOR® Wirsbo™ Connection
- Genuine VIEGA® PEX™ Connection



Patent(s) Pending



www.ayrlett.com
sales@ayrlett.com

Phone: 877.99.ayrlett
Fax: 208.465.6786

PO Box 3191
Nampa, ID 83653

Valley Forge[™] Loose Water Hammer Arresters

FDA/NSF Approved Materials:

- Acetal outer shell and piston
- Buna N O-rings
- FDA approved silicone lubrication

Working Parameters:

- Max Working Temp: 180°
- Max Working Pressure: 170 PSIG
- Burst Tested to up to: 1,200 PSIG

Installation:

- Arrester may be installed at any angle
- All AA45 models are approved for in-wall installations
- No access panel is required
- Use pipe dope only on 1/2" MIP

Listings:

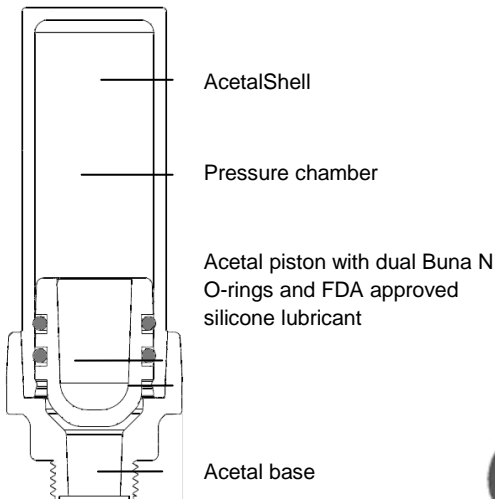
- ICC – Complies with Universal Plumbing Code
- ASSE: ANSI/ASSE 1010 2004
- NSF 61
- Meets all low lead requirements

Attachments:

- Permanent Factory Seal.



MIP CPVC PEX UPONOR 3/8 Cop Tee



| Loose Arresters | Connection |
|-----------------|----------------------------------|
| AA45-MIP | 1/2" MIP |
| AA45-CPM | 1/2" CPVC |
| AA45-PEX | 1/2" Brass Pex Barb |
| AA45-UPW | UPONOR/Wirsbo |
| AA45-DCT | Dish Washer Connection 3/8" Comp |



Patent(s) Pending

Valley Forge™ ¼ Turn Washing Machine and Ice Maker Valves with and w/o Water Hammer Arresters

| Description | Part # With Out Water Hammer Arrester | Part # With Water Hammer Arrester |
|-----------------------------------------------|---------------------------------------|-----------------------------------|
| Washing Machine Valves with CPVC Connection | 5011 | 5211 |
| Washing Machine Valves with Wirsbo Connection | 5012 | 5212 |
| Washing Machine Valves with PEX Connection | 5013 | 5213 |
| Ice Maker Valve with CPVC Connection | 3011 | 3211 |
| Ice Maker Valve with Wirsbo Connection | 3012 | 3212 |
| Ice Maker Valve with PEX Connection | 3013 | 3213 |

Made in the USA!

All Ayrlett® Valley Forge™ products are made in the USA!

FDA/NSF Approved Materials:

- Acetal Valve and Water Hammer Arrester
- Buna N O-rings
- FDA approved silicone lubrication

Listings:

- ICC – Complies with Universal Plumbing Code
- NSF 61
- Meets all low lead requirements
- ASSE 1010
- ASME A112.18.1

Options:

- Water hammer arresters.
- CPVC, PEX, and Wirsbo attachments.

Connection Type:

- CPVC
- Genuine UPONOR Wirsbo Connector
- Genuine VIEGA PEX Connector



PEX WIRSBO CPVC

Installation Instructions:

- Attach valves in accordance with approved methods based on supplied connector. (CPVC, PEX, and Wirsbo)
- Valves may be used with approved utility or ice maker boxes
- Valves may be installed at any angle.



Patent(s) Pending



Valley Forge™

Independence Line

Valley Forge™ Washing Machine Box with ¼ Turn stop valves.



Made in the USA!

All Ayrlett® Valley Forge™ products are made in the USA!

FDA/NSF Approved Materials:

- Acetal Valve and Water Hammer Arrester
- Buna N O-rings
- FDA approved silicone lubrication

Listings:

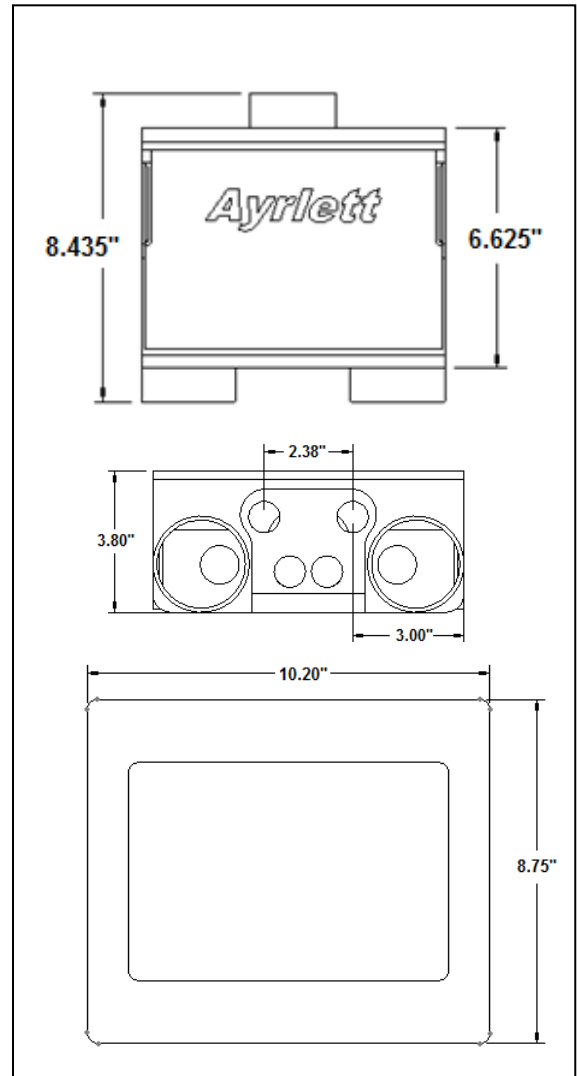
- NSF 61
- QAI - Complies with Universal Plumbing Code
- Box is UPC listed
- Arrestors are listed by ICC ASSE 1010
- Meets all low lead requirements
- ASME A112.18.1

Options:

- Available with or without water hammer arresters.

Connection Type:

- Threaded MIP
- CPVC
- Genuine UPONOR® Wirsbo™ Connector
- Genuine VIEGA® PEX Connector



Patent(s) Pending



www.ayrlett.com
sales@ayrlett.com

Phone: 877.99.ayrlett
Fax: 208.465.6786

PO Box 3191
Nampa, ID 83653