

QUALITY FAUCETS AND PLUMBING PRODUCTS

SPECIFICATION SHEET

DESCRIPTION

Standard Front Lift Diverter Tub Spout
Brass Body Construction
Plastic Insert for Slip Inlet

Extended Front Lift Tub Spout



240207 SHOWN

STANDARDS

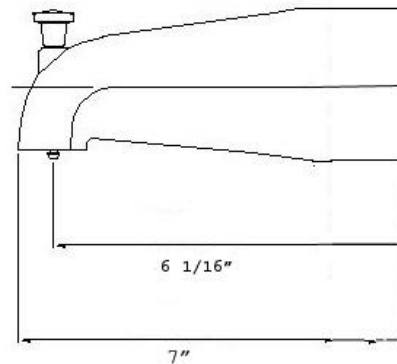
ASME A112.18.1M
ANSI A117.1

PRODUCT NUMBERS

#240202 Front Lift Tub Spout - 1/2" IPS Inlet
#240207 Front Lift Tub Spout - Universal 1/2" IPS & Slip-on Inlet

FINISHES

CP Chrome
BN PVD Brushed Nickel Finish



Model #: _____

Specific Features: _____

Project Name: _____

Submitted For: _____

Date: _____



DMSP990611/REV. 07 2004