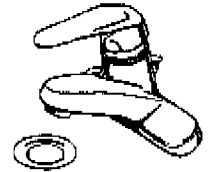




Pioneer Industries, Inc
3325 S. Garfield Ave.
Commerce, CA 90040
Phone (323) 888-8873
Fax (323) 888-9515

facsimile transmittal



To: James Huffmaster Fax: 800-483-6695

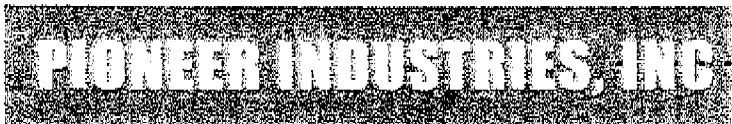
From: Kirkman Thompson Date: 8/30/06

Re: SS 600 Spec Steel Pages: 2

CC:

- Urgent For Review Please Comment Please Reply Please Recycle

Notes:





SPECIFICATION SHEET

PREMIUM SERIES KITCHEN FAUCET

DESCRIPTION

Metal Lever Handle
 9-1/8" Reach, 7-3/8" High Spout
 Ceramic Disc Cartridge with Temperature Limit
 Stainless Steel Flex Connector Lines
 2 or 4-Hole Installation
 Fits 8" Center
 8" Deck Cover Plate or Decorative Escutcheon
 Optional Side Spray Assembly

FLOW

2.2GPM

STANDARDS

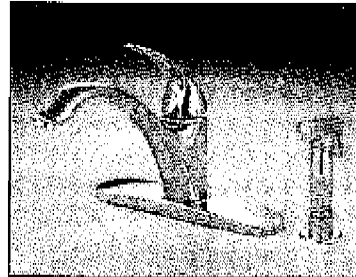
ASME A112.18.1M
 ANSI A117.1
 ANSI / NSF 61, SECTION 9
 IAPMO LISTED (Pending)
 ADA COMPLIANT

PRODUCT NUMBERS

- #886000 With 8" Deck Cover Plate
- #886010 With 8" Deck Cover Plate & Side Spray Assembly
- #886100 With Decorative Escutcheon
- #886110 With Decorative Escutcheon & Side Spray Assembly

FINISHES

- BC PVD BRUSHED CHROME
- BN PVD BRUSHED NICKEL
- BP PVD BLACK PEARL
- CP CHROME
- PB PVD POLISHED BRASS
- PN PVD POLISHED NICKEL
- TB PVD TUSCANY BRONZE



W/ 8" DECK PLATE



W/ DECORATIVE ESCUTCHEON



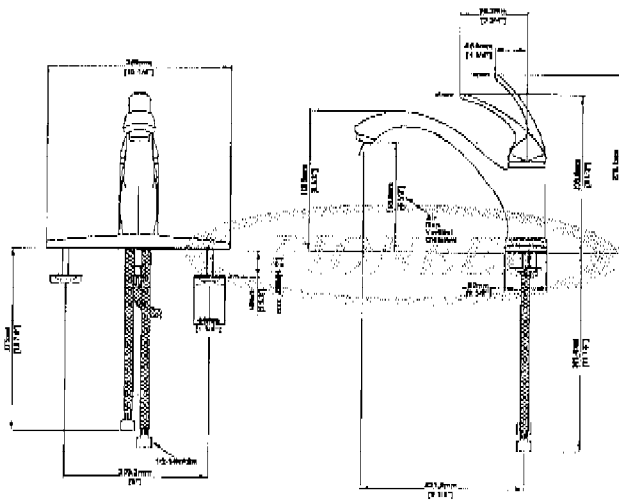
Model #: _____

Specific Features: _____

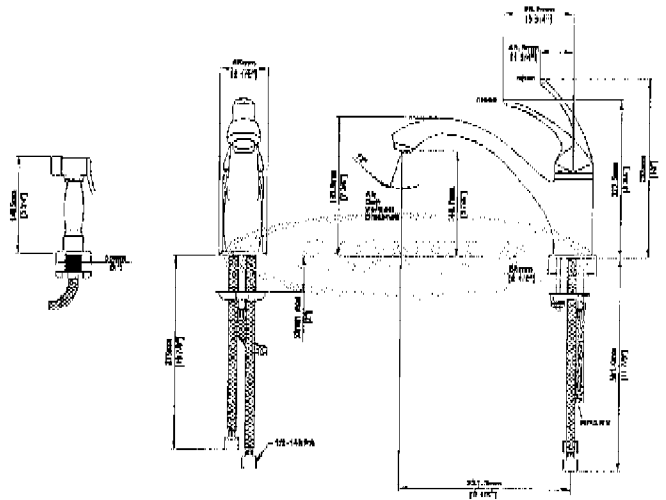
Project Name: _____

Submitted For: _____

Date: _____



WITH 8" DECK PLATE



WITH DECORATIVE ESCUTCHEON

