

BRANIFF

WATER SOLUTIONS

www.braniff.ws

Represented by:



Released, June 13, 2021

Index

Toilets

CREEL, Round front, 12" rough

CREEL, Elongated front, 12" rough

DOLPHIN, Round front, 12" rough

DOLPHIN, Elongated front, 12" rough

DOLPHIN, ADA, 12" rough

DOLPHIN, ADA, 12" rough, RH Tank

DOLPHIN, ADA, 14" rough

REAL, Elongated, 12" rough

Lavatories – Drop In

Kub Vessel

Oxford (20" x 17")

Venus (19" round)

Lavatories – Undercounter mount

Audaze Rect

Auduze Square

Centurion Jr. (19" x 17")

Centurion (22" x 18")

BRANIFF

WATER SOLUTIONS

Model

Creel RF Toilet Rough in 12"

- TZ2028A020.B
- TQ1032A020.B

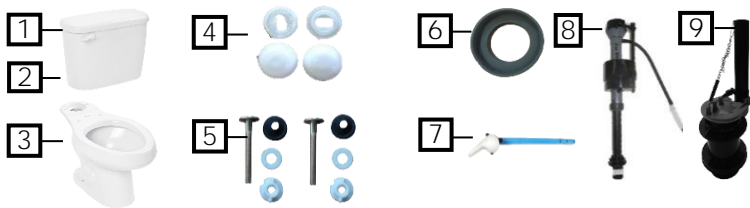
TOILET

| Features

- Toilet Style: Two-Piece Toilet
 - Color: White
 - Material: Vitreous China
 - Flushing System: Front Lever
 - Operation: Siphon Jet
 - High-Efficiency Toilet: 1.28 gpf / 4.8 lpf
 - Average Weight: 69.44 lbs
 - Average Height: 30 "
 - Water Surface: 7" x 8 ½"
 - Flushes: 600 grams of solids
- (Internal Braniff Lab)
- Trapway Diameter: 2" Fully Glazed Trapway
 - Working Pressure: 20 lbs/in² to 80 lbs/in²
 - Bowl Shape: Slow Close: A585 Toilet Seat
- Compatible with BEMIS:



| Components



#	Description	Code	QTY
1	Tank Cover	C7302A	1
2	Tank	T7202A	1
3	Bowl	B1002A	1
4	Cover screws	280122822	1
5	Fixing kit	N/A	1
6	Gasket 3"	208125207	1
7	Handle	280122581	1
8	Fill valve	280122846	1
9	Flush valve	280122957	1

| Specifications

- ASME A112.19.2-2018/CSA B45.1-18
- EPA WaterSense High Efficiency Toilets



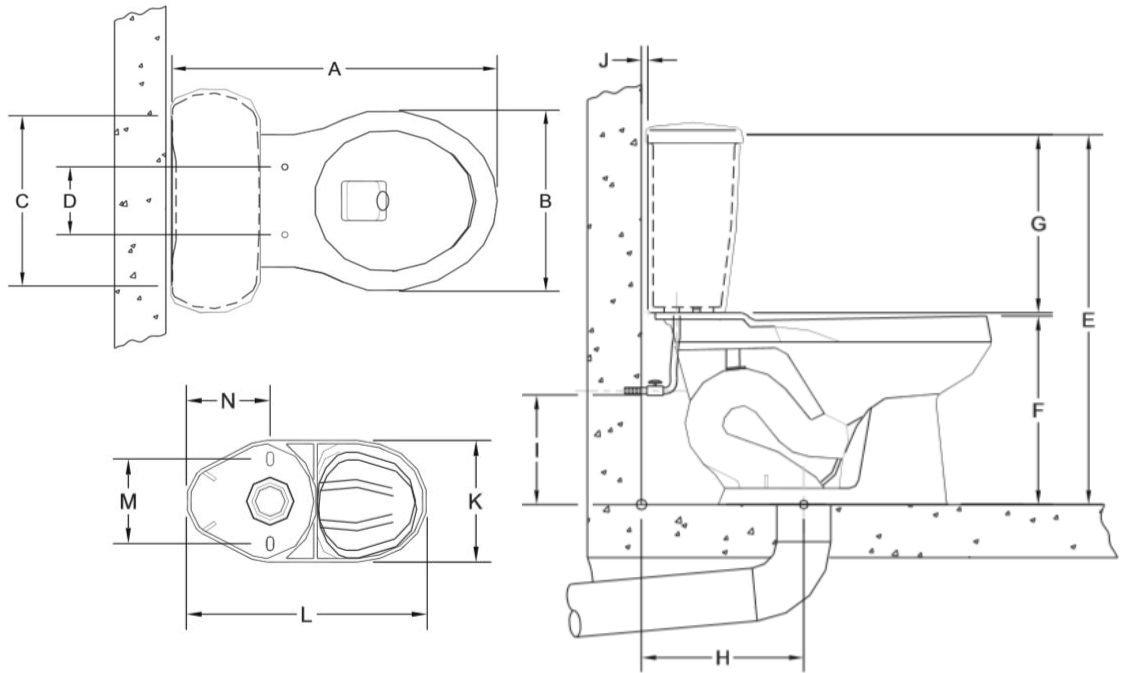
* Seat Not Included

 **Download Ind. sheet**

10 Years Warranty on Vitreous China |

| Technical Data

Section	Measures
A	26 9/16"
B	15 "
C	18 ¼"
D	5 ½"
E	30 "
F	15 ½"
G	14 ¼"
H	12 "
I	9 "
J	1 ½"
K	8 ¾"
L	18 ½"
M	6 "
N	5 ¾"



* Dimension tolerance of $\pm 5\%$

| Instalation

Clean the installation area and make sure the distances are correct. Turn bowl upside down on cloth and place wax ring, carefully align and lower bowl over floor flange and floor mounting bolts. Assemble snap-on base and place the metallic washers and tighten nuts. And finally set the tank onto the bowl using tank bolts, place the plastic washers and hand tighten wing nuts.

| Fittings

Fill Valve:	Fluid Master	Model:	400
Flush Valve:	Fluid Master	Model:	540A

| Recomendations

- Before connecting to the hydraulic network, verify that the distance between the wall and the toilet discharge coincide with the entrance of the hydraulic network.
- The toilet is fragile and may break during manipulation, use gloves are recommended during installation.
- Don't use chlorine cleaning tablets in the tank, this can damage the valves.
- Use antifungal silicone sealant for the joints of the toilet with the floor, don't use cement or adhesive plaster.
- When installing the fixing screws, take care not to exceed the tightening force of the nuts, as this can break the toilet.
- Hand tighten the supply hose (not included) to the tank, if there is any leak, lightly tighten with a tool, do not use any type of sealant in the joints.

| Maintenance

- Clean the surface with a water-damped cloth.
- Never use cutting items, fibers, sandpapers, detergents, solvents, liquids or abrasive powders to clean the bowl.

| Warranty

All products commercialized by BRANIFF are designed, manufactured and tested accordingly to our quality system and to international standards if any manufacturing or workmanship defect were to be presented on the product and corroborated by BRANIFF, it will be replace it without cost to buyer. Finishes are warranted against manufacturing defects for 10 (ten) years on vitreous china and 1 (one) year on moving parts and accesories.

10 Years Warranty on Vitreous China |

BRANIFF

WATER SOLUTIONS

Model

Creel EL Toilet Rough in 12"

- TZ2030A020.B
- TQ1032A020.B

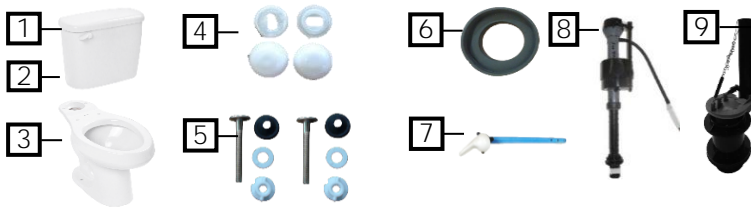
TOILET

| Features

- Toilet Style: Two-Piece Toilet
- Color: White
- Material: Vitreous China
- Flushing System: Front Lever
- Operation: Siphon Jet
- High-Efficiency Toilet: 1.28 gpf / 4.8 lpf
- Average Weight: 77.74 lbs
- Average Height: 30 3/8"
- Water Surface: 8 1/2" x 6 3/4"
- Flushes: 600 grams of solids
(Internal Braniff Lab)
- Trapway Diameter: 2" Fully Glazed Trapway
- Working Pressure: 20 lbs/in² to 80 lbs/in²
- Bowl Shape: Slow Close: 190 Toilet Seat
Normal: 7900 Toilet Seat
- Compatible with BEMIS: Close:



| Components



#	Description	Code	QTY
1	Tank Cover	C7302A	1
2	Tank	T7202A	1
3	Bowl	B1M02A	1
4	Cover screws	280122822	1
5	Fixing kit	N/A	1
6	Gasket 3"	208125207	1
7	Handle	280122581	1
8	Fill valve	280122846	1
9	Flush valve	280122957	1

* Seat Not Included

| Specifications

- ASME A112.19.2-2018/CSA B45.1-18
- EPA WaterSense High Efficiency Toilets

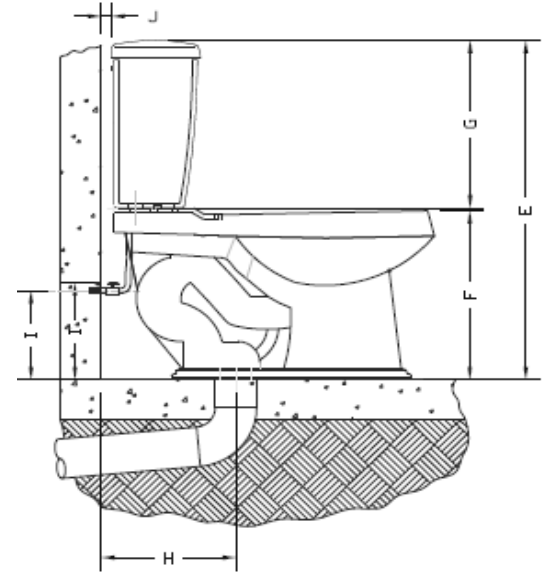
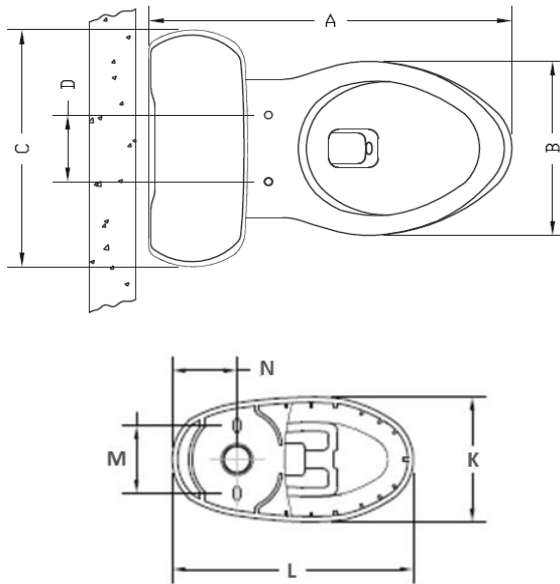


 **Download Ind. sheet**

10 Years Warranty on Vitreous China |

Technical Data

Section	Measures
A	28 11/16"
B	14 1/2"
C	18 1/4"
D	5 11/16"
E	30 3/8"
F	15 1/2"
G	14 1/4"
H	12"
I	9 1/2"
J	1 5/16"
K	8 3/4"
L	18 1/4"
M	5 7/8"
N	5 5/8"



* Dimension tolerance of $\pm 5\%$

Installation

Clean the installation area and make sure the distances are correct. Turn bowl upside down on cloth and place wax ring, carefully align and lower bowl over floor flange and floor mounting bolts. Assemble snap-on base and place the metallic washers and tighten nuts. And finally set the tank onto the bowl using tank bolts, place the plastic washers and hand tighten wing nuts.

Fittings

Fill Valve:	Fluid Master	Model:	400
Flush Valve:	Fluid Master	Model:	540A

Recommendations

- Before connecting to the hydraulic network, verify that the distance between the wall and the toilet discharge coincide with the entrance of the hydraulic network.
- The toilet is fragile and may break during manipulation, use gloves are recommended during installation.
- Don't use chlorine cleaning tablets in the tank, this can damage the valves.
- Use antifungal silicone sealant for the joints of the toilet with the floor, don't use cement or adhesive plaster.
- When installing the fixing screws, take care not to exceed the tightening force of the nuts, as this can break the toilet.
- Hand tighten the supply hose (not included) to the tank, if there is any leak, lightly tighten with a tool, do not use any type of sealant in the joints.

Maintenance

- Clean the surface with a water-damped cloth.
- Never use cutting items, fibers, sandpapers, detergents, solvents, liquids or abrasive powders to clean the bowl.

Warranty

All products commercialized by BRANIFF are designed, manufactured and tested accordingly to our quality system and to international standards if any manufacturing or workmanship defect were to be presented on the product and corroborated by BRANIFF, it will be replace it without cost to buyer. Finishes are warranted against manufacturing defects for 10 (ten) years on vitreous china and 1 (one) year on moving parts and accesories.

10 Years Warranty on Vitreous China |

BRANIFF

WATER SOLUTIONS

Model

Dolphin RF Toilet Rough in 12"

- TZ2028A020.B
- TQ1033A020.B

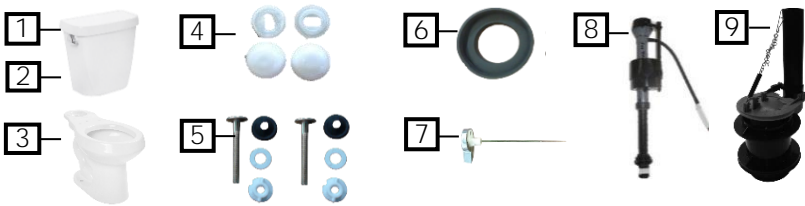
TOILET

| Features

- Toilet Style: Two-Piece Toilet
 - Color: White
 - Material: Vitreous China
 - Flushing System: LH-Side Lever
 - Operation: Siphon Jet
 - High-Efficiency Toilet: 1.28 gpf / 4.8 lpf
 - Average Weight: 70.72 lbs
 - Average Height: 30 3/16"
 - Water Surface: 7" x 8 1/2"
 - Flushes: 600 grams of solids
(Internal Braniff Lab)
 - Trapway Diameter: 2" Fully Glazed Trapway
 - Working Pressure: 20 lbs/in² to 80 lbs/in²
 - Bowl Shape: Slow Close: A585 Toilet Seat
- Compatible with BEMIS:



| Components



#	Description	Code	QTY
1	Tank Cover	C1C02A	1
2	Tank	T6302A	1
3	Bowl	B1002A	1
4	Cover screws	280122822	1
5	Fixing kit	N/A	1
6	Gasket 3"	208125207	1
7	Handle	280122963	1
8	Fill valve	280122846	1
9	Flush valve	280122957	1

* Seat Not Included

| Specifications

- ASME A112.19.2-2018/CSA B45.1-18
- EPA WaterSense High Efficiency Toilets

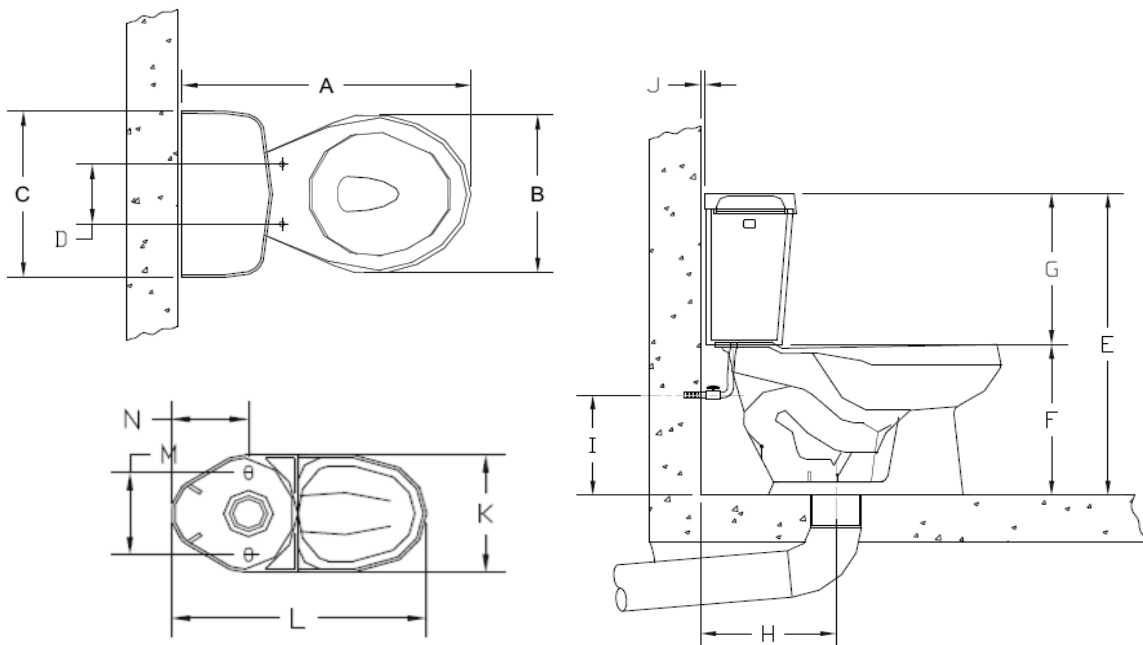


 **Download Ind. sheet**

10 Years Warranty on Vitreous China |

| Technical Data

Section	Measures
A	26 9/16"
B	15 "
C	15 5/8 "
D	5 5/8"
E	30 3/16"
F	15 3/8"
G	14 1/4"
H	12 "
I	9 1/2"
J	3/4"
K	8 3/4 "
L	18 1/4"
M	6 "
N	5 3/4"



* Dimension tolerance of $\pm 5\%$

| Instalation

Clean the installation area and make sure the distances are correct. Turn bowl upside down on cloth and place wax ring, carefully align and lower bowl over floor flange and floor mounting bolts. Assemble snap-on base and place the metallic washers and tighten nuts. And finally set the tank onto the bowl using tank bolts, place the plastic washers and hand tighten wing nuts.

| Fittings

Fill Valve:	Fluid Master	Model:	400
Flush Valve:	Fluid Master	Model:	540A

| Recomendations

- Before connecting to the hydraulic network, verify that the distance between the wall and the toilet discharge coincide with the entrance of the hydraulic network.
- The toilet is fragile and may break during manipulation, use gloves are recommended during installation.
- Don't use chlorine cleaning tablets in the tank, this can damage the valves.
- Use antifungal silicone sealant for the joints of the toilet with the floor, don't use cement or adhesive plaster.
- When installing the fixing screws, take care not to exceed the tightening force of the nuts, as this can break the toilet.
- Hand tighten the supply hose (not included) to the tank, if there is any leak, lightly tighten with a tool, do not use any type of sealant in the joints.

| Maintenance

- Clean the surface with a water-damped cloth.
- Never use cutting items, fibers, sandpapers, detergents, solvents, liquids or abrasive powders to clean the bowl.

| Warranty

All products commercialized by BRANIFF are designed, manufactured and tested accordingly to our quality system and to international standards if any manufacturing or workmanship defect were to be presented on the product and corroborated by BRANIFF, it will be replace it without cost to buyer. Finishes are warranted against manufacturing defects for 10 (ten) years on vitreous china and 1 (one) year on moving parts and accesories.

10 Years Warranty on Vitreous China |

BRANIFF

WATER SOLUTIONS

Model

Dolphin EL Toilet Rough in 12"

- TZ2030A020.B
- TQ1033A020.B

TOILET

| Features

- Toilet Style: Two-Piece Toilet
- Color: White
- Material: Vitreous China
- Flushing System: LH-Side Lever
- Operation: Siphon Jet
- High-Efficiency Toilet: 1.28 gpf / 4.8 lpf
- Average Weight: 76.49 lbs
- Average Height: 30 3/8"
- Water Surface: 7" x 9 1/4"
- Flushes: 600 grams of solids
(Internal Braniff Lab)
- Trapway Diameter: 2" Fully Glazed Trapway
- Working Pressure: 20 lbs/in² to 80 lbs/in²
- Bowl Shape: Slow Close: 190 Toilet Seat
Normal
Close: 7900 Toilet Seat
- Compatible with BEMIS:



| Components



#	Description	Code	QTY
1	Tank Cover	C1C02A	1
2	Tank	T6302A	1
3	Bowl	B1M02A	1
4	Cover screws	280122822	1
5	Fixing kit	N/A	1
6	Gasket 3"	208125207	1
7	Handle	280122963	1
8	Fill valve	280122846	1
9	Flush valve	280122957	1

* Seat Not Included

| Specifications

- ASME A112.19.2-2018/CSA B45.1-18
- EPA WaterSense High Efficiency Toilets

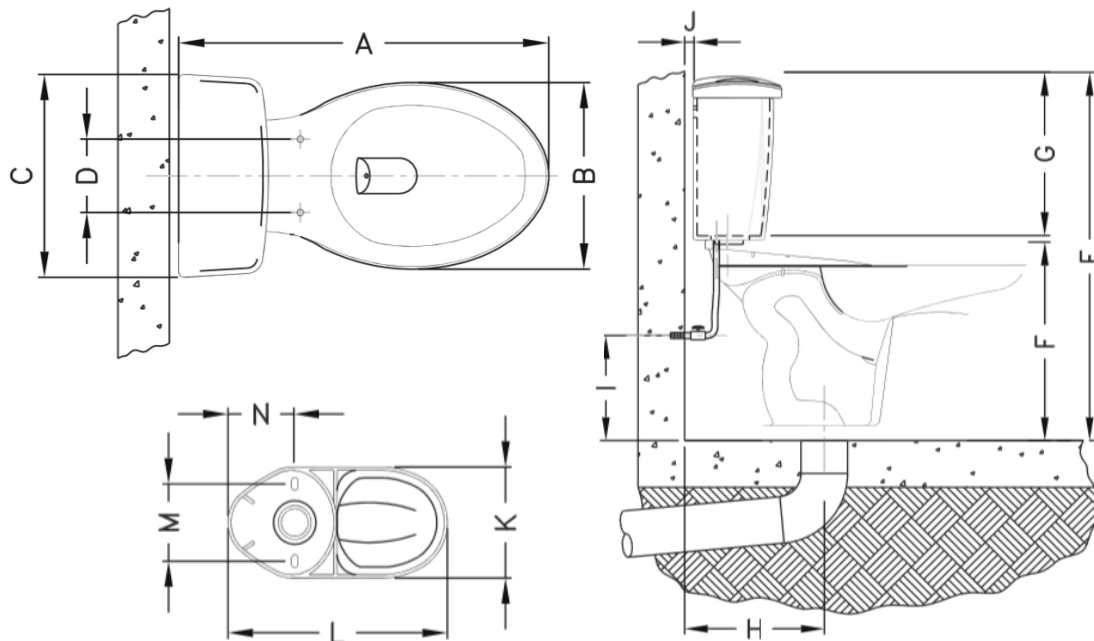


 **Download Ind. sheet**

10 Years Warranty on Vitreous China |

| Technical Data

Section	Measures
A	29 7/16 "
B	14 1/2 "
C	15 5/8 "
D	5 11/16 "
E	30 3/8 "
F	15 1/2 "
G	14 1/2 "
H	12 "
I	9 1/2 "
J	1 5/16 "
K	8 3/4 "
L	18 1/4 "
M	5 7/8 "
N	5 5/8 "



* Dimension tolerance of $\pm 5\%$

| Instalation

Clean the installation area and make sure the distances are correct. Turn bowl upside down on cloth and place wax ring, carefully align and lower bowl over floor flange and floor mounting bolts. Assemble snap-on base and place the metallic washers and tighten nuts. And finally set the tank onto the bowl using tank bolts, place the plastic washers and hand tighten wing nuts.

| Fittings

Fill Valve:	Fluid Master	Model:	400
Flush Valve:	Fluid Master	Model:	540A

| Recomendations

- Before connecting to the hydraulic network, verify that the distance between the wall and the toilet discharge coincide with the entrance of the hydraulic network.
- The toilet is fragile and may break during manipulation, use gloves are recommended during installation.
- Don't use chlorine cleaning tablets in the tank, this can damage the valves.
- Use antifungal silicone sealant for the joints of the toilet with the floor, don't use cement or adhesive plaster.
- When installing the fixing screws, take care not to exceed the tightening force of the nuts, as this can break the toilet.
- Hand tighten the supply hose (not included) to the tank, if there is any leak, lightly tighten with a tool, do not use any type of sealant in the joints.

| Maintenance

- Clean the surface with a water-damped cloth.
- Never use cutting items, fibers, sandpapers, detergents, solvents, liquids or abrasive powders to clean the bowl.

| Warranty

All products commercialized by BRANIFF are designed, manufactured and tested accordingly to our quality system and to international standards if any manufacturing or workmanship defect were to be presented on the product and corroborated by BRANIFF, it will be replace it without cost to buyer. Finishes are warranted against manufacturing defects for 10 (ten) years on vitreous china and 1 (one) year on moving parts and accesories.

10 Years Warranty on Vitreous China |

BRANIFF

WATER SOLUTIONS

Model

Dolphin EL ADA Toilet Rough in 12"

- 50470020.B
- TQ1033A020.B

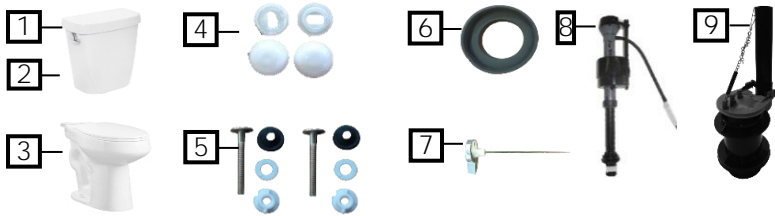
TOILET

| Features

- Toilet Style: Two-Piece Toilet
- Color: White
- Material: Vitreous China
- Flushing System: LH-Side Lever
- Operation: Siphon Jet
- High-Efficiency Toilet: 1.28 gpf / 4.8 lpf
- Average Weight: 76.96 lbs
- Average Height: 32 ½"
- Water Surface: 7" x 9 ¼"
- Flushes: 800 grams of solids
(Internal Braniff Lab)
- Trapway Diameter: 2" Fully Glazed Trapway
- Working Pressure: 20 lbs/in² to 80 lbs/in²
- Bowl Shape: Slow Close: 190 Toilet Seat
Normal: 7900 Toilet Seat
- Compatible with BEMIS: Close:



| Components



#	Description	Code	QTY
1	Tank Cover	C1C02A	1
2	Tank	T6302A	1
3	Bowl	B1N02A	1
4	Cover screws	280122822	1
5	Fixing kit	N/A	1
6	Gasket 3"	208125207	1
7	Handle	280122963	1
8	Fill valve	280122846	1
9	Flush valve	280122957	1

* Seat Not Included

| Specifications

- ASME A112.19.2-2018/CSA B45.1-18
- EPA WaterSense High Efficiency Toilets

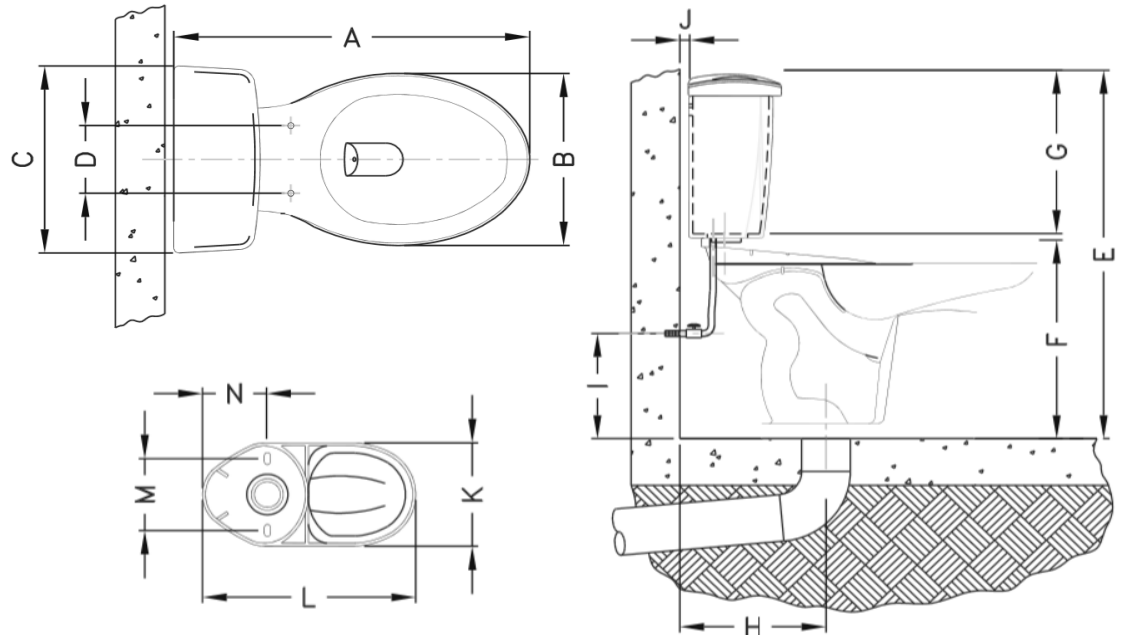


Download Ind. sheet

10 Years Warranty on Vitreous China |

| Technical Data

Section	Measures
A	30 $\frac{5}{8}$ "
B	15 "
C	15 $\frac{5}{8}$ "
D	5 $\frac{1}{2}$ "
E	32 $\frac{1}{2}$ "
F	16 $\frac{3}{4}$ "
G	15"
H	12 "
I	9 $\frac{1}{2}$ "
J	$\frac{1}{2}$ "
K	9 "
L	18 $\frac{1}{2}$ "
M	6 "
N	5 $\frac{3}{4}$ "



* Dimension tolerance of $\pm 5\%$

| Instalation

Clean the installation area and make sure the distances are correct. Turn bowl upside down on cloth and place wax ring, carefully align and lower bowl over floor flange and floor mounting bolts. Assemble snap-on base and place the metallic washers and tighten nuts. And finally set the tank onto the bowl using tank bolts, place the plastic washers and hand tighten wing nuts.

| Fittings

Fill Valve:	Fluid Master	Model:	400
Discharge Valve:	Fluid Master	Model:	540A

| Recomendations

- Before connecting to the hydraulic network, verify that the distance between the wall and the toilet discharge coincide with the entrance of the hydraulic network.
- The toilet is fragile and may break during manipulation, use gloves are recommended during installation.
- Don't use chlorine cleaning tablets in the tank, this can damage the valves.
- Use antifungal silicone sealant for the joints of the toilet with the floor, don't use cement or adhesive plaster.
- When installing the fixing screws, take care not to exceed the tightening force of the nuts, as this can break the toilet.
- Hand tighten the supply hose (not included) to the tank, if there is any leak, lightly tighten with a tool, do not use any type of sealant in the joints.

| Maintenance

- Clean the surface with a water-damped cloth.
- Never use cutting items, fibers, sandpapers, detergents, solvents, liquids or abrasive powders to clean the bowl.

| Warranty

All products commercialized by BRANIFF are designed, manufactured and tested accordingly to our quality system and to international standards if any manufacturing or workmanship defect were to be presented on the product and corroborated by BRANIFF, it will be replace it without cost to buyer. Finishes are warranted against manufacturing defects for 10 (ten) years on vitreous china and 1 (one) year on moving parts and accesories.

10 Years Warranty on Vitreous China |

BRANIFF

WATER SOLUTIONS

Model

Dolphin EL ADA Right Handed
Toilet Rough in 12"

- 50470020.B
- TQ1033C020.B

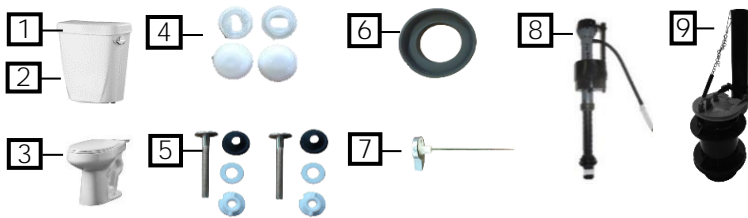
TOILET

| Features

- Toilet Style: Two-Piece Toilet
- Color: White
- Material: Vitreous China
- Flushing System: RH-Side lever
- Operation: Siphon Jet
- High-Efficiency Toilet: 1.28 gpf / 4.8 lpf
- Average Weight: 76.96 lbs
- Average Height: 32 ½"
- Water Surface: 7" x 9 ½"
- Flushes: 800 grams of solids
(Internal Braniff Lab)
- Trapway Diameter: 2" Fully Glazed Trapway
- Working Pressure: 20 lbs/in² to 80 lbs/in²
- Bowl Shape: Slow Close: 190 Toilet Seat
Normal: 7900 Toilet Seat
- Compatible with BEMIS:



| Components



#	Description	Code	QTY
1	Tank Cover	C1C02A	1
2	Tank	T6502A	1
3	Bowl	B1N02A	1
4	Cover screws	280122822	1
5	Fixing kit	N/A	1
6	Gasket 3"	208125207	1
7	Handle	280122961	1
8	Fill valve	280122846	1
9	Flush valve	280122957	1

* Seat Not Included

| Specifications

- ASME A112.19.2-2018/CSA B45.1-18
- EPA WaterSense High Efficiency Toilets

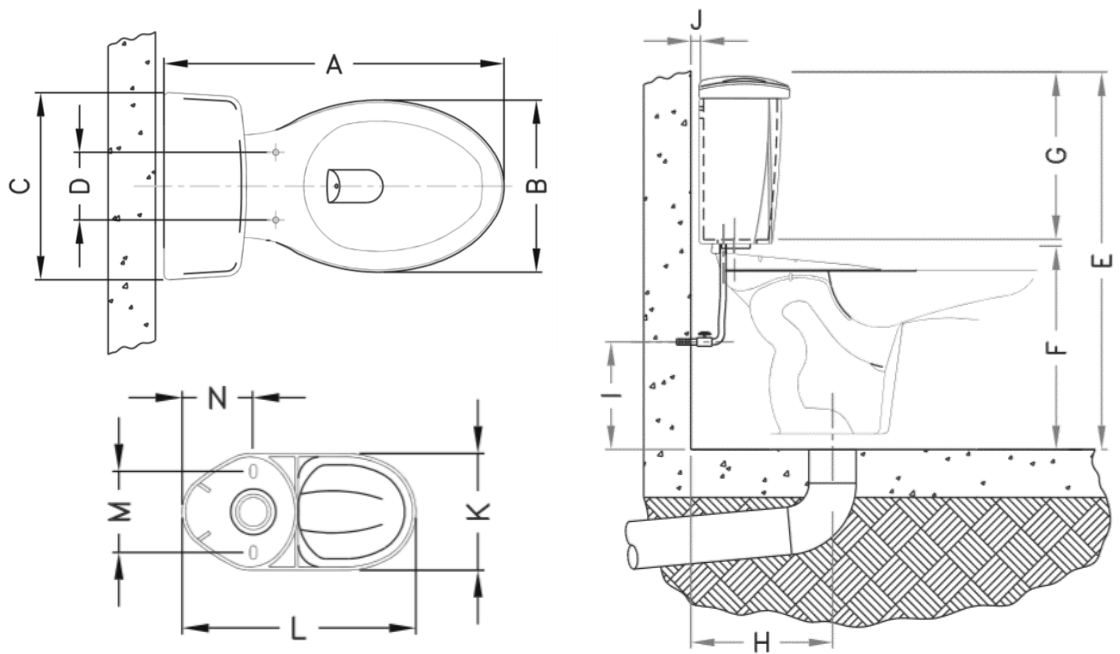


 **Download Ind. sheet**

10 Years Warranty on Vitreous China |

| Technical Data

Section	Measures
A	30 $\frac{5}{8}$ "
B	15 "
C	15 $\frac{5}{8}$ "
D	5 $\frac{1}{2}$ "
E	32 $\frac{1}{2}$ "
F	16 $\frac{3}{4}$ "
G	15 "
H	12 "
I	9 $\frac{1}{2}$ "
J	$\frac{1}{2}$ "
K	9 "
L	18 $\frac{1}{2}$ "
M	6 "
N	5 $\frac{3}{4}$ "



* Dimension tolerance of $\pm 5\%$

| Instalation

Clean the installation area and make sure the distances are correct. Turn bowl upside down on cloth and place wax ring, carefully align and lower bowl over floor flange and floor mounting bolts. Assemble snap-on base and place the metallic washers and tighten nuts. And finally set the tank onto the bowl using tank bolts, place the plastic washers and hand tighten wing nuts.

| Fittings

Fill Valve:	Fluid Master	Model:	400
Flush Valve:	Fluid Master	Model:	540A

| Recomendations

- Before connecting to the hydraulic network, verify that the distance between the wall and the toilet discharge coincide with the entrance of the hydraulic network.
- The toilet is fragile and may break during manipulation, use gloves are recommended during installation.
- Don't use chlorine cleaning tablets in the tank, this can damage the valves.
- Use antifungal silicone sealant for the joints of the toilet with the floor, don't use cement or adhesive plaster.
- When installing the fixing screws, take care not to exceed the tightening force of the nuts, as this can break the toilet.
- Hand tighten the supply hose (not included) to the tank, if there is any leak, lightly tighten with a tool, do not use any type of sealant in the joints.

| Maintenance

- Clean the surface with a water-damped cloth.
- Never use cutting items, fibers, sandpapers, detergents, solvents, liquids or abrasive powders to clean the bowl.

| Warranty

All products commercialized by BRANIFF are designed, manufactured and tested accordingly to our quality system and to international standards if any manufacturing or workmanship defect were to be presented on the product and corroborated by BRANIFF, it will be replace it without cost to buyer. Finishes are warranted against manufacturing defects for 10 (ten) years on vitreous china and 1 (one) year on moving parts and accesories.

10 Years Warranty on Vitreous China |

BRANIFF

WATER SOLUTIONS

Model

Dolphin EL ADA Toilet Rough in 14"

- 50470020.B
- TQ1036A020.B

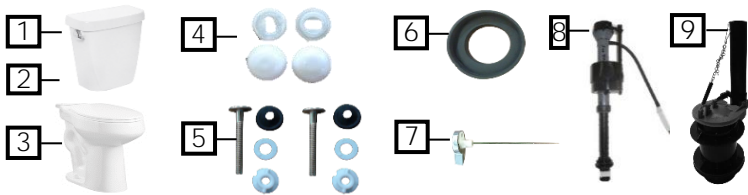
TOILET

| Features

- Toilet Style: Two-Piece Toilet
- Color: White
- Material: Vitreous China
- Flushing System: LH-Side Lever
- Operation: Siphon Jet
- High-Efficiency Toilet: 1.28 gpf / 4.8 lpf
- Average Weight: 76.96 lbs
- Average Height: 33"
- Water Surface: 7" x 9 1/2"
- Flushes: 800 grams of solids
(Internal Braniff Lab)
- Trapway Diameter: 2" Fully Glazed Trapway
- Working Pressure: 20 lbs/in² to 80 lbs/in²
- Bowl Shape: Slow Close: 190 Toilet Seat
Normal: 7900 Toilet Seat
Compatible with BFMIS: Close:



| Components



#	Description	Code	QTY
1	Tank Cover	C4302A	1
2	Tank	T4302A	1
3	Bowl	B1N02A	1
4	Cover screws	280122822	1
5	Fixing kit	N/A	1
6	Gasket 3"	208125207	1
7	Handle	280122963	1
8	Fill valve	280122846	1
9	Flush valve	280122957	1

| Specifications

- ASME A112.19.2-2018/CSA B45.1-18
- EPA WaterSense High Efficiency Toilets



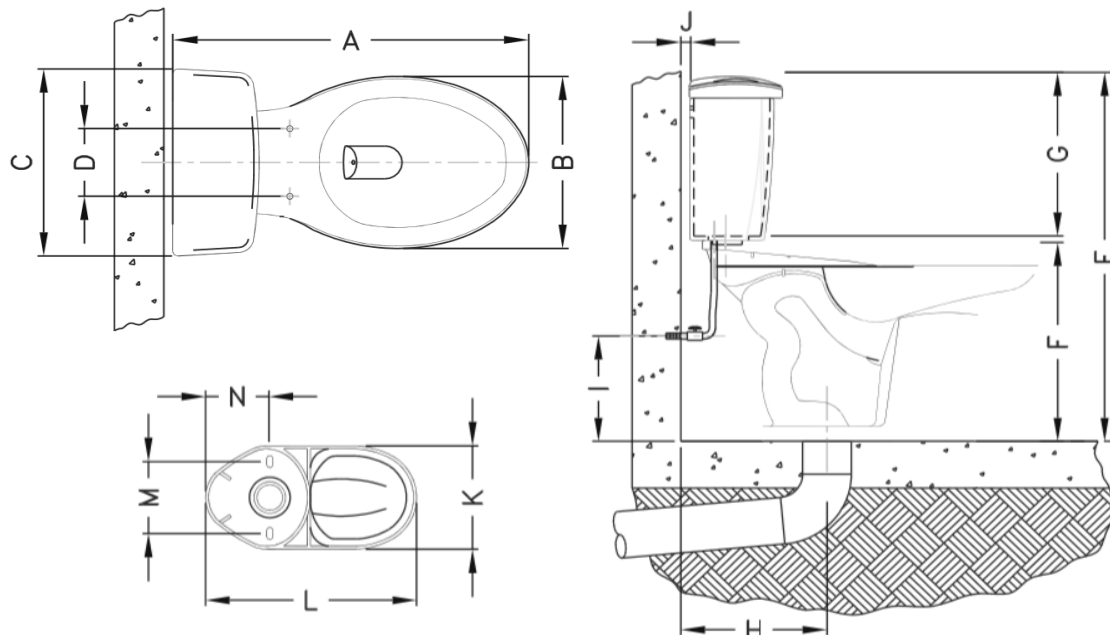
* Seat Not Included

 **Download Ind. sheet**

10 Years Warranty on Vitreous China |

| Technical Data

Section	Measures
A	32 ½ "
B	15 "
C	15 ¾ "
D	5 ½ "
E	33 "
F	16 ¾ "
G	15 "
H	14 "
I	9 ½ "
J	½ "
K	9 "
L	19 "
M	6 "
N	5 ⅝ "



* Dimension tolerance of $\pm 5\%$

| Instalation

Clean the installation area and make sure the distances are correct. Turn bowl upside down on cloth and place wax ring, carefully align and lower bowl over floor flange and floor mounting bolts. Assemble snap-on base and place the metallic washers and tighten nuts. And finally set the tank onto the bowl using tank bolts, place the plastic washers and hand tighten wing nuts.

| Fittings

Fill Valve:	Fluid Master	Model:	400
Flush Valve:	Fluid Master	Model:	540A

| Recomendations

- Before connecting to the hydraulic network, verify that the distance between the wall and the toilet discharge coincide with the entrance of the hydraulic network.
- The toilet is fragile and may break during manipulation, use gloves are recommended during installation.
- Don't use chlorine cleaning tablets in the tank, this can damage the valves.
- Use antifungal silicone sealant for the joints of the toilet with the floor, don't use cement or adhesive plaster.
- When installing the fixing screws, take care not to exceed the tightening force of the nuts, as this can break the toilet.
- Hand tighten the supply hose (not included) to the tank, if there is any leak, lightly tighten with a tool, do not use any type of sealant in the joints.

| Maintenance

- Clean the surface with a water-damped cloth.
- Never use cutting items, fibers, sandpapers, detergents, solvents, liquids or abrasive powders to clean the bowl.

| Warranty

All products commercialized by BRANIFF are designed, manufactured and tested accordingly to our quality system and to international standards if any manufacturing or workmanship defect were to be presented on the product and corroborated by BRANIFF, it will be replace it without cost to buyer. Finishes are warranted against manufacturing defects for 10 (ten) years on vitreous china and 1 (one) year on moving parts and accesories.

10 Years Warranty on Vitreous China |

BRANIFF

WATER SOLUTIONS

Model

Real EL Toilet Rough in 12"

- TZ2031A020.B
- TQ1034A020.B

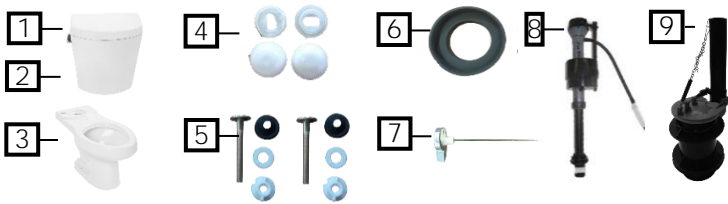
TOILET

| Features

- Toilet Style: Two-Piece Toilet
- Color: White
- Material: Vitreous China
- Flushing System: LH-Side Lever
- Operation: Siphon Jet
- High-Efficiency Toilet: 1.28 gpf / 4.8 lpf
- Average Weight: 77.92 lbs
- Average Height: 30 ¾"
- Water Surface: 7" x 9"
- Flushes: 700 grams of solids
(Internal Braniff Lab)
- Trapway Diameter: 2" Fully Glazed Trapway
- Working Pressure: 20 lbs/in² to 80 lbs/in²
- Bowl Shape: Slow Close: 190 Toilet Seat
Normal Close: 7900 Toilet Seat
- Compatible with BEMIS: Normal



| Components



#	Description	Code	QTY
1	Tank Cover	C5802A	1
2	Tank	T5802A	1
3	Bowl	B1Q02A	1
4	Cover screws	280122822	1
5	Fixing kit	N/A	1
6	Gasket 3"	208125207	1
7	Handle	280122963	1
8	Fill valve	280122846	1
9	Flush valve	280122957	1

* Seat Not Included

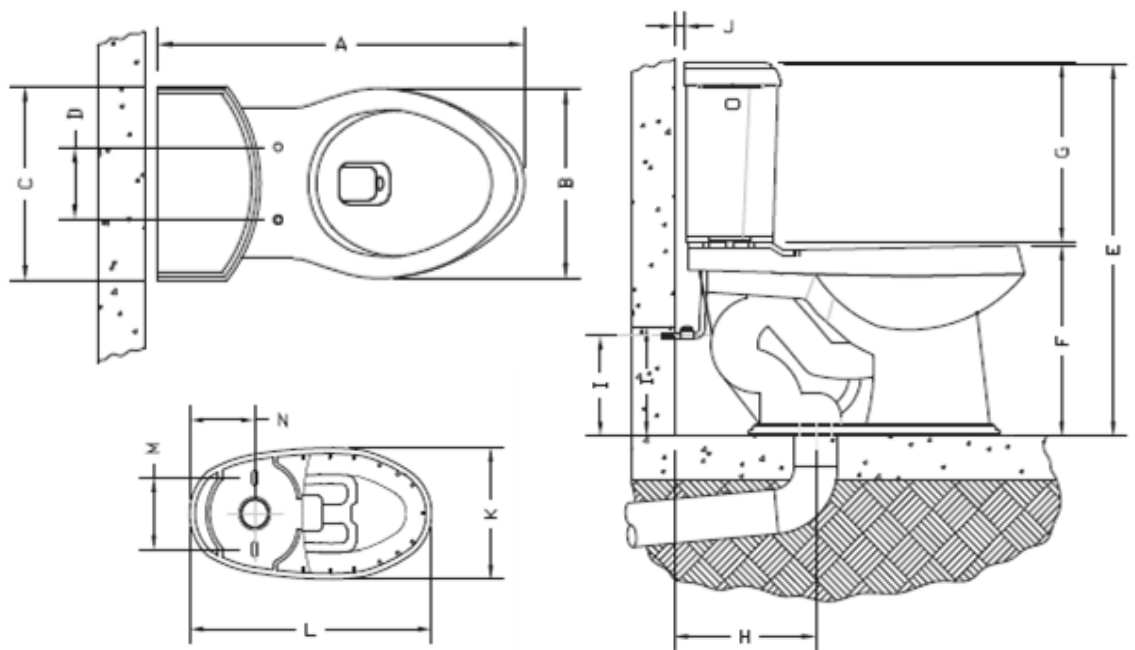
| Specifications

- ASME A112.19.2-2018/CSA B45.1-18
- EPA WaterSense High Efficiency Toilets



| Technical Data

Section	Measures
A	28 ¾ "
B	15 ⅛ "
C	13 ⅞ "
D	5 ⅝ "
E	30 ¾ "
F	15 ¾ "
G	14 ⅞ "
H	12 "
I	9 ½ "
J	3/16 "
K	9 ¾ "
L	20 ¼ "
M	6 1/16 "
N	6 ⅛ "



* Dimension tolerance of $\pm 5\%$

| Instalation

Clean the installation area and make sure the distances are correct. Turn bowl upside down on cloth and place wax ring, carefully align and lower bowl over floor flange and floor mounting bolts. Assemble snap-on base and place the metallic washers and tighten nuts. And finally set the tank onto the bowl using tank bolts, place the plastic washers and hand tighten wing nuts.

| Fittings

Fill Valve:	Fluid Master	Model:	400
Flush Valve:	Fluid Master	Model:	540A

| Recomendations

- Before connecting to the hydraulic network, verify that the distance between the wall and the toilet discharge coincide with the entrance of the hydraulic network.
- The toilet is fragile and may break during manipulation, use gloves are recommended during installation.
- Don't use chlorine cleaning tablets in the tank, this can damage the valves.
- Use antifungal silicone sealant for the joints of the toilet with the floor, don't use cement or adhesive plaster.
- When installing the fixing screws, take care not to exceed the tightening force of the nuts, as this can break the toilet.
- Hand tighten the supply hose (not included) to the tank, if there is any leak, lightly tighten with a tool, do not use any type of sealant in the joints.

| Maintenance

- Clean the surface with a water-damped cloth.
- Never use cutting items, fibers, sandpapers, detergents, solvents, liquids or abrasive powders to clean the bowl.

| Warranty

All products commercialized by BRANIFF are designed, manufactured and tested accordingly to our quality system and to international standards if any manufacturing or workmanship defect were to be presented on the product and corroborated by BRANIFF, it will be replace it without cost to buyer. Finishes are warranted against manufacturing defects for 10 (ten) years on vitreous china and 1 (one) year on moving parts and accesories.

10 Years Warranty on Vitreous China |

BRANIFF

WATER SOLUTIONS

Model

- KUB ONE HOLE LAV VESSEL
- KUB 4" LAV VESSEL
- KUB 8" LAV VESSEL
- 52222020.B
- 52413020.B
- 52056020.B

LAVATORY

| Features

- Lavatory Style: Vessel
- Material: Vitreous China
- Color: White
- Average Weight: 30.20 lbs
- Discharge hole diameter: 1 3/4"
- Drill diameter: 1 3/8"



| Specifications

- ASME A112.19.2-2018/CSA B45.1-18



| Components

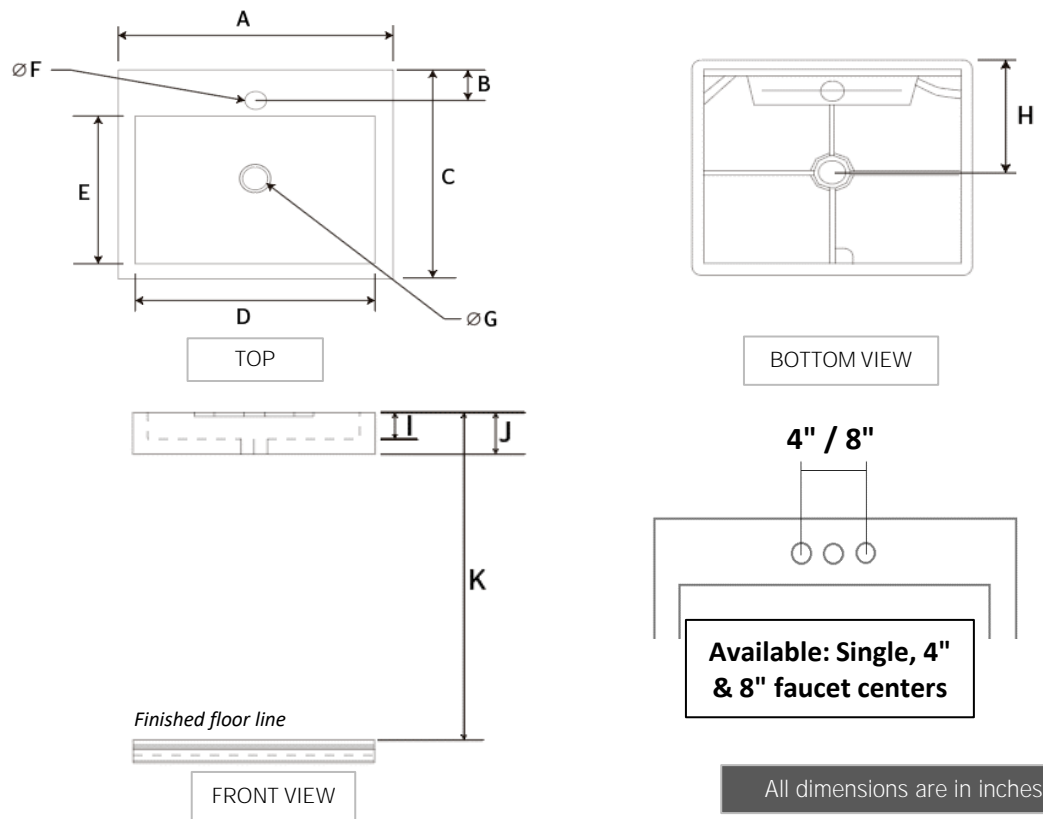


#	Description	Code	QTY
1	Kub, 1 Lav Vessel	L1E02A	1
1	Kub, 4" Lav Vessel	L1F02A	1
1	Kub, 8" Lav Vessel	L1B02A	1

| Technical Data

Section	Measures
A	19 ½ "
B	2 ⅜ "
C	18 "
D	16 ½ "
E	12 ½ "
F	Ø1 ⅜ "
G	Ø1 ¾ "
H	9 ¼ "
I	2 ½ "
J	4 "
K	31 " or 34 "

* Dimension tolerance of ±5%



| Instalation

The lavatory must be placed on the previously sectioned furniture or surface.

| Recomendations

- Before selecting any mixer, it is recommended to verify that it is compatible with the design of the lavatory.
- The ceramic is fragile and may break during manipulation, gloves are recommended during installation.
- Use antifungal silicone sealant for the joints of the lavatory with the surface, don't use cement or adhesive plaster.
- When installing the fixing screws, take care not to exceed the tightening force of the nuts, as this can break the ceramic.
- Hand tighten the supply hose (not included) to the mixer, if there is any leak, lightly tighten with a tool, don't use any type of sealant in the joints.

| Maintenance

- Do not leave ceramic for long periods of time without cleaning.
- Do not clean with ammonia or acids, as it will irreversibly damage the ceramic finish, just use soap and a sponge.
- Clean the surface with a soft damp cloth, adding non-abrasive detergent cleaner if required, dry off.

| Warranty

All products commercialized by BRANIFF are designed, manufactured and tested accordingly to our quality system and to international standards if any manufacturing or workmanship defect were to be presented on the product and corroborated by BRANIFF, it will be replace it without cost to buyer. Finishes are warranted against manufacturing defects for 10 (ten) years on vitreous china.

10 Years Warranty on Vitreous China |

BRANIFF

WATER SOLUTIONS

Model

- OXFORD ONE HOLE DROP-IN LAV 52054020.B
- OXFORD 4" DROP-IN LAV 52050020.B
- OXFORD 8" DROP-IN LAV 52051020.B

LAVATORY

| Features

- Lavatory Style: Drop-in Lavatory
- Material: Vitreous China
- Color: White
- Average Weight: 18.29 lbs
- Discharge hole diameter: 1 3/4"
- Drill diameter: 1 1/8"



| Specifications

- ASME A112.19.2-2018/CSA B45.1-18



| Components

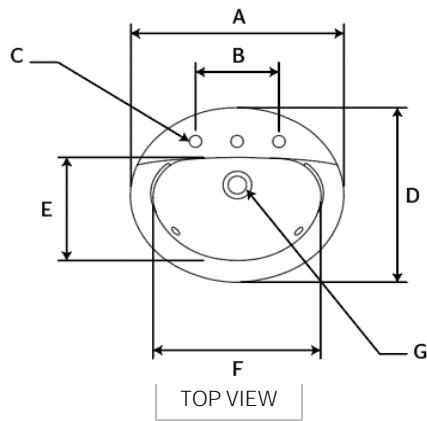


#	Description	Code	QTY
1	Oxford One hole Drop-in Lav	L5402A	1
1	Oxford 4" Drop-in Lav	L5002A	1
1	Oxford 8" Drop-in Lav	L5102A	1

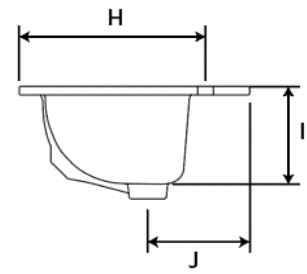
| Technical Data

Section	Measures
A	20 ½ "
B	4" or 8 "
C	Ø 1 ⅛"
D	17 ¼ "
E	10 "
F	15 ½"
G	Ø 1 ¾ "
H	14 ¼"
I	7 ¼"
J	7 ¾ "
K	8 ½"

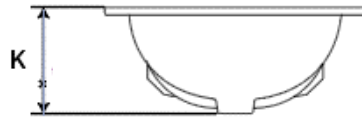
* Dimension tolerance of ±5%



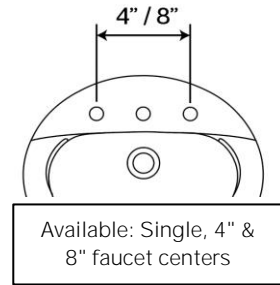
TOP VIEW



SIDE VIEW



FRONT VIEW



Available: Single, 4" & 8" faucet centers

All dimensions are in inches (in)

| Instalation

The lavatory must be placed on the previously sectioned furniture or surface.

| Recomendations

- Before selecting any mixer, it is recommended to verify that it is compatible with the design of the lavatory.
- The ceramic is fragile and may break during manipulation, gloves are recommended during installation.
- Use antifungal silicone sealant for the joints of the lavatory with the surface, don't use cement or adhesive plaster.
- When installing the fixing screws, take care not to exceed the tightening force of the nuts, as this can break the ceramic.
- Hand tighten the supply hose (not included) to the mixer, if there is any leak, lightly tighten with a tool, don't use any type of sealant in the joints.

| Maintenance

- Do not leave ceramic for long periods of time without cleaning.
- Do not clean with ammonia or acids, as it will irreversibly damage the ceramic finish, just use soap and a sponge.
- Clean the surface with a soft damp cloth, adding non-abrasive detergent cleaner if required, dry off.

| Warranty

All products commercialized by BRANIFF are designed, manufactured and tested accordingly to our quality system and to international standards if any manufacturing or workmanship defect were to be presented on the product and corroborated by BRANIFF, it will be replace it without cost to buyer. Finishes are warranted against manufacturing defects for 10 (ten) years on vitreous china.

10 Years Warranty on Vitreous China |

BRANIFF

WATER SOLUTIONS

Model

- VENUS ONE HOLE DROP-IN LAV
 - VENUS 4" DROP-IN LAV
 - VENUS 8" DROP-IN LAV
- 52062020.B
 - 52060020.B
 - 52061020.B

LAVATORY

| Features

- Lavatory Style: Drop-in Lavatory
- Material: Vitreous China
- Color: White
- Average Weight: 18.27 lbs
- Discharge hole diameter: 1 3/4"
- Drill diameter: 1 1/8"



| Specifications

- ASME A112.19.2-2018/CSA B45.1-18



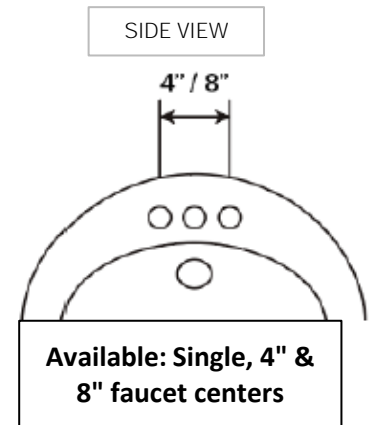
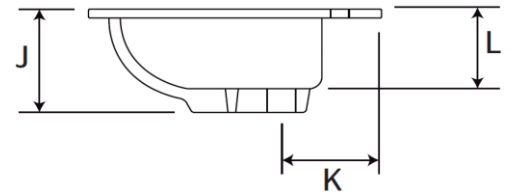
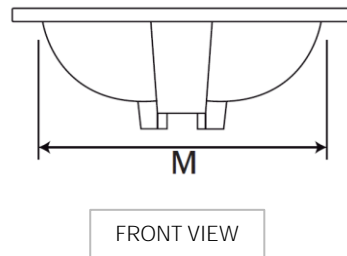
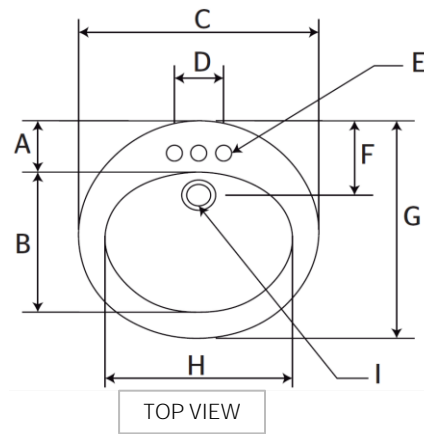
| Components



#	Description	Code	QTY
1	Venus One hole Drop-in Lav	L6202A	1
1	Venus 4" Drop-in Lav	L6002A	1
1	Venus 8" Drop-in Lav	L6102A	1

| Technical Data

Section	Measures
A	4 ½ "
B	12 ½ "
C	19 ¼ "
D	4 "
E	Ø 1 ⅛"
F	6 ½ "
G	19 ¼ "
H	15 "
I	Ø 1 ¾ "
J	7 ½ "
K	6 ¾ "
L	6 ¼ "
M	16 ¼ "



* Dimension tolerance of $\pm 5\%$

All dimensions are in inches (in)

| Instalation

The lavatory must be placed on the previously sectioned furniture or surface.

| Recomendations

- Before selecting any mixer, it is recommended to verify that it is compatible with the design of the lavatory.
- The ceramic is fragile and may break during manipulation, gloves are recommended during installation.
- Use antifungal silicone sealant for the joints of the lavatory with the surface, don't use cement or adhesive plaster.
- When installing the fixing screws, take care not to exceed the tightening force of the nuts, as this can break the ceramic.
- Hand tighten the supply hose (not included) to the mixer, if there is any leak, lightly tighten with a tool, don't use any type of sealant in the joints.

| Maintenance

- Do not leave ceramic for long periods of time without cleaning.
- Do not clean with ammonia or acids, as it will irreversibly damage the ceramic finish, just use soap and a sponge.
- Clean the surface with a soft damp cloth, adding non-abrasive detergent cleaner if required, dry off.

| Warranty

All products commercialized by BRANIFF are designed, manufactured and tested accordingly to our quality system and to international standards if any manufacturing or workmanship defect were to be presented on the product and corroborated by BRANIFF, it will be replace it without cost to buyer. Finishes are warranted against manufacturing defects for 10 (ten) years on vitreous china.

10 Years Warranty on Vitreous China |

BRANIFF

WATER SOLUTIONS

Model

▪ AUDAZE RECTANGULAR UNDER-MOUNT LAV

▪ 52821020.B

LAVATORY

| Features

- Lavatory Style: Under-Mount Lav
- Material: Vitreous China
- Color: White
- Average Weight: 25.17 lbs
- Discharge hole diameter: 1 3/4"



| Specifications

- ASME A112.19.2-2018/CSA B45.1-18



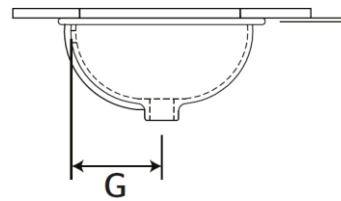
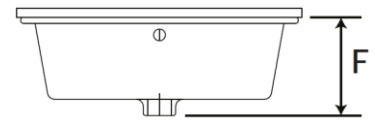
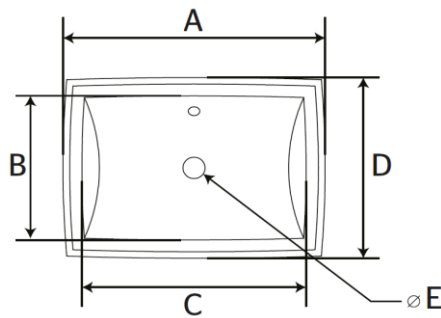
| Components



#	Description	Code	QTY
1	Audaze Rectangular Under-Mount Lav	L3B02A	1

| Technical Data

Section	Measures
A	22 ¾ "
B	13 ¼ "
C	19 ½ "
D	16 ¼ "
E	Ø 1 ¾ "
F	8 ¾ "
G	8 ¾ "



* Dimension tolerance of $\pm 5\%$

All dimensions are in inches (in)

| Instalation

The sink must be placed under the previously sectioned furniture or surface.

| Recomendations

- Before selecting any mixer, it is recommended to verify that it is compatible with the design of the lavatory.
- The ceramic is fragile and may break during manipulation, gloves are recommended during installation.
- Use antifungal silicone sealant for the joints of the lavatory with the surface, don't use cement or adhesive plaster.
- When installing the fixing screws, take care not to exceed the tightening force of the nuts, as this can break the ceramic.
- Hand tighten the supply hose (not included) to the mixer, if there is any leak, lightly tighten with a tool, don't use any type of sealant in the joints.

| Maintenance

- Do not leave ceramic for long periods of time without cleaning.
- Do not clean with ammonia or acids, as it will irreversibly damage the ceramic finish, just use soap and a sponge.
- Clean the surface with a soft damp cloth, adding non-abrasive detergent cleaner if required, dry off.

| Warranty

All products commercialized by BRANIFF are designed, manufactured and tested accordingly to our quality system and to international standards if any manufacturing or workmanship defect were to be presented on the product and corroborated by BRANIFF, it will be replace it without cost to buyer. Finishes are warranted against manufacturing defects for 10 (ten) years on vitreous china.

10 Years Warranty on Vitreous China |

BRANIFF

WATER SOLUTIONS

Model

▪ AUDAZE SQUARE UNDER-MOUNT LAV

▪ 52820020.B

LAVATORY

| Features

- Lavatory Style: Under-Mount Lav
- Material: Vitreous China
- Color: White
- Average Weight: 15.04 lbs
- Discharge hole diameter: 1 3/4"



| Specifications

- ASME A112.19.2-2018/CSA B45.1-18



| Components

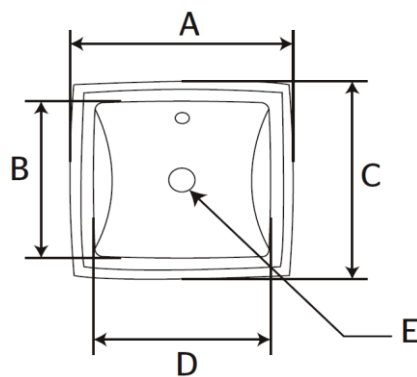


#	Description	Code	QTY
1	Audaze Square Under-Mount Lav	L3A02A	1

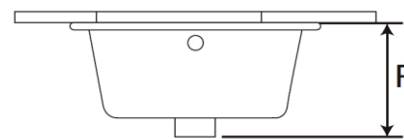
| Technical Data

Section	Measures
A	16 ¼ "
B	13 "
C	16 ¼ "
D	13 "
E	Ø 1 ¾ "
F	8 ¾ "
G	8 ¾ "

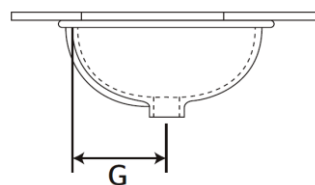
* Dimension tolerance of ±5%



TOP VIEW



FRONT VIEW



SIDE VIEW

All dimensions are in inches (in)

| Instalation

The sink must be placed under the previously sectioned furniture or surface.

| Recomendations

- Before selecting any mixer, it is recommended to verify that it is compatible with the design of the lavatory.
- The ceramic is fragile and may break during manipulation, gloves are recommended during installation.
- Use antifungal silicone sealant for the joints of the lavatory with the surface, don't use cement or adhesive plaster.
- When installing the fixing screws, take care not to exceed the tightening force of the nuts, as this can break the ceramic.
- Hand tighten the supply hose (not included) to the mixer, if there is any leak, lightly tighten with a tool, don't use any type of sealant in the joints.

| Maintenance

- Do not leave ceramic for long periods of time without cleaning.
- Do not clean with ammonia or acids, as it will irreversibly damage the ceramic finish, just use soap and a sponge.
- Clean the surface with a soft damp cloth, adding non-abrasive detergent cleaner if required, dry off.

| Warranty

All products commercialized by BRANIFF are designed, manufactured and tested accordingly to our quality system and to international standards if any manufacturing or workmanship defect were to be presented on the product and corroborated by BRANIFF, it will be replace it without cost to buyer. Finishes are warranted against manufacturing defects for 10 (ten) years on vitreous china.

10 Years Warranty on Vitreous China |

BRANIFF

WATER SOLUTIONS

Model

▪ CENTURION JR. UNDER-MOUNT LAV

▪ 52103020.B

LAVATORY

| Features

- Lavatory Style: Under-Mount Lav
- Material: Vitreous China
- Color: White
- Average Weight: 14.04 lbs
- Discharge hole diameter: 1 3/4"



| Specifications

- ASME A112.19.2-2018/CSA B45.1-18



| Components

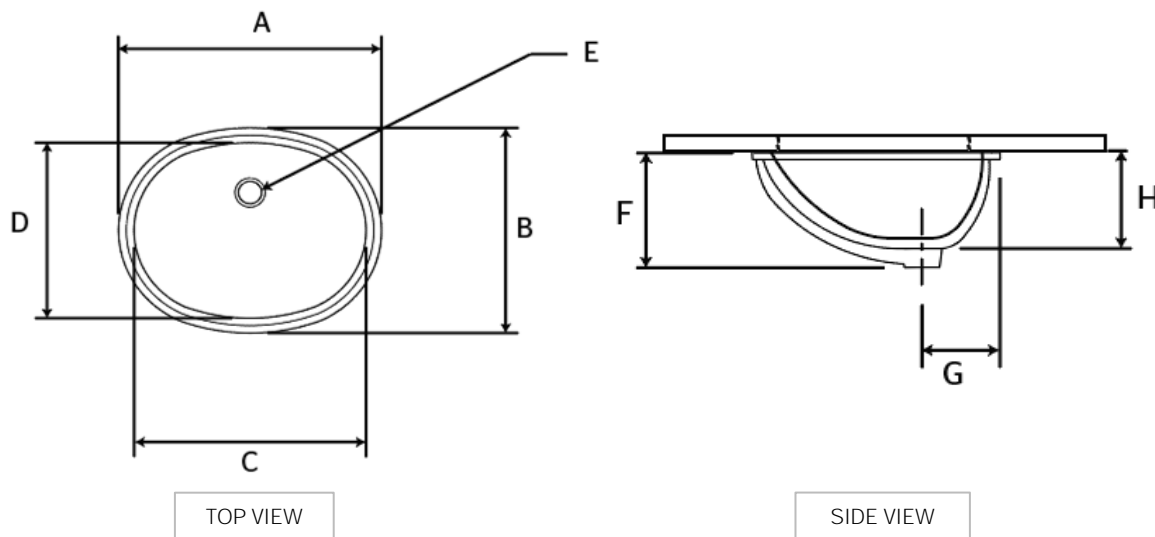


#	Description	Code	QTY
1	Centurion Jr. Under-Mount Lav	L0302A	1

| Technical Data

Section	Measures
A	19 "
B	16 ½ "
C	16 ¾ "
D	14 "
E	Ø 1 ¾ "
F	7 ½ "
G	5 ½ "
H	6 "

* Dimension tolerance of $\pm 5\%$



All dimensions are in inches (in)

| Instalation

The sink must be placed under the previously sectioned furniture or surface.

| Recomendations

- Before selecting any mixer, it is recommended to verify that it is compatible with the design of the lavatory.
- The ceramic is fragile and may break during manipulation, gloves are recommended during installation.
- Use antifungal silicone sealant for the joints of the lavatory with the surface, don't use cement or adhesive plaster.
- When installing the fixing screws, take care not to exceed the tightening force of the nuts, as this can break the ceramic.
- Hand tighten the supply hose (not included) to the mixer, if there is any leak, lightly tighten with a tool, don't use any type of sealant in the joints.

| Maintenance

- Do not leave ceramic for long periods of time without cleaning.
- Do not clean with ammonia or acids, as it will irreversibly damage the ceramic finish, just use soap and a sponge.
- Clean the surface with a soft damp cloth, adding non-abrasive detergent cleaner if required, dry off.

| Warranty

All products commercialized by BRANIFF are designed, manufactured and tested accordingly to our quality system and to international standards if any manufacturing or workmanship defect were to be presented on the product and corroborated by BRANIFF, it will be replace it without cost to buyer. Finishes are warranted against manufacturing defects for 10 (ten) years on vitreous china.

10 Years Warranty on Vitreous China |

BRANIFF

WATER SOLUTIONS

Model

▪ CENTURION UNDER-MOUNT LAV

▪ 52100020.B

LAVATORY

| Features

- Lavatory Style: Under-Mount Lav
- Material: Vitreous China
- Color: White
- Average Weight: 19.06 lbs
- Discharge hole diameter: 1 3/4"



| Specifications

- ASME A112.19.2-2018/CSA B45.1-18



| Components

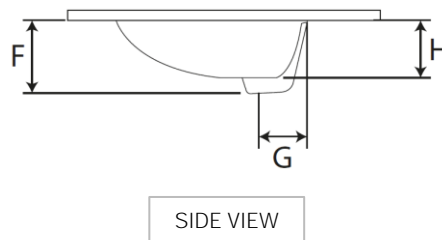
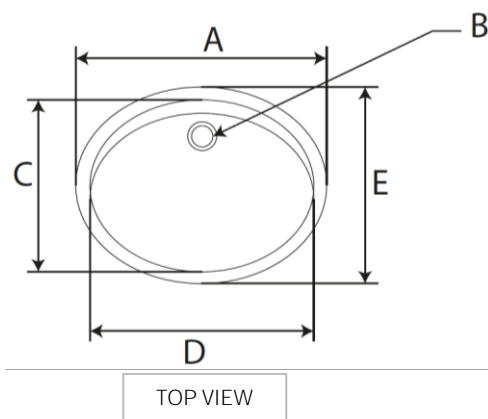


#	Description	Code	QTY
1	Centurion Under-Mount Lav	L0002A	1

| Technical Data

Section	Measures
A	21 3/4 "
B	Ø 1 3/4"
C	15 3/4 "
D	19 1/4"
E	18 "
F	7 1/8 "
G	4 "
H	6 1/2 "

* Dimension tolerance of $\pm 5\%$



All dimensions are in inches (in)

| Instalation

The sink must be placed under the previously sectioned furniture or surface.

| Recomendations

- Before selecting any mixer, it is recommended to verify that it is compatible with the design of the lavatory.
- The ceramic is fragile and may break during manipulation, gloves are recommended during installation.
- Use antifungal silicone sealant for the joints of the lavatory with the surface, don't use cement or adhesive plaster.
- When installing the fixing screws, take care not to exceed the tightening force of the nuts, as this can break the ceramic.
- Hand tighten the supply hose (not included) to the mixer, if there is any leak, lightly tighten with a tool, don't use any type of sealant in the joints.

| Maintenance

- Do not leave ceramic for long periods of time without cleaning.
- Do not clean with ammonia or acids, as it will irreversibly damage the ceramic finish, just use soap and a sponge.
- Clean the surface with a soft damp cloth, adding non-abrasive detergent cleaner if required, dry off.

| Warranty

All products commercialized by BRANIFF are designed, manufactured and tested accordingly to our quality system and to international standards if any manufacturing or workmanship defect were to be presented on the product and corroborated by BRANIFF, it will be replace it without cost to buyer. Finishes are warranted against manufacturing defects for 10 (ten) years on vitreous china.

10 Years Warranty on Vitreous China |