

# Central Brass

C O M P A N Y

Brecksville, Ohio 44141

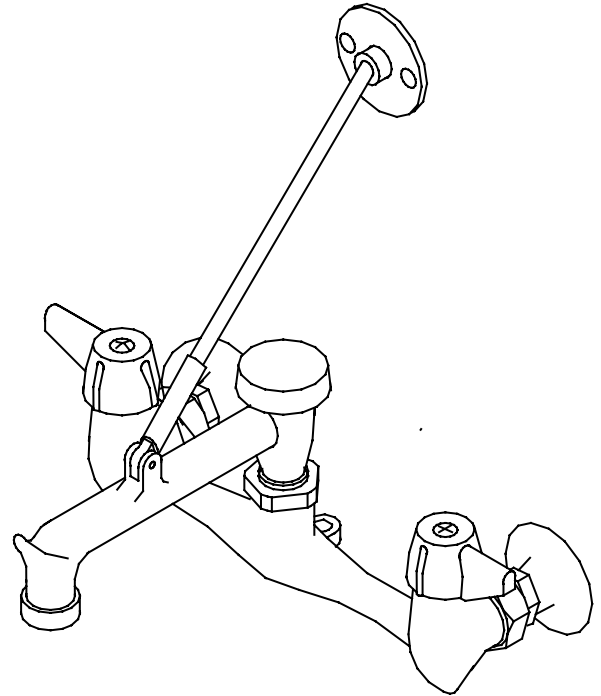
Phone: (216) 883-0220 Fax: (440) 526-5745

www.CentralBrass.com

**MODEL NO. 0054-URC-Q**  
**SERVICE SINK FAUCET**  
**ADA COMPLIANT**

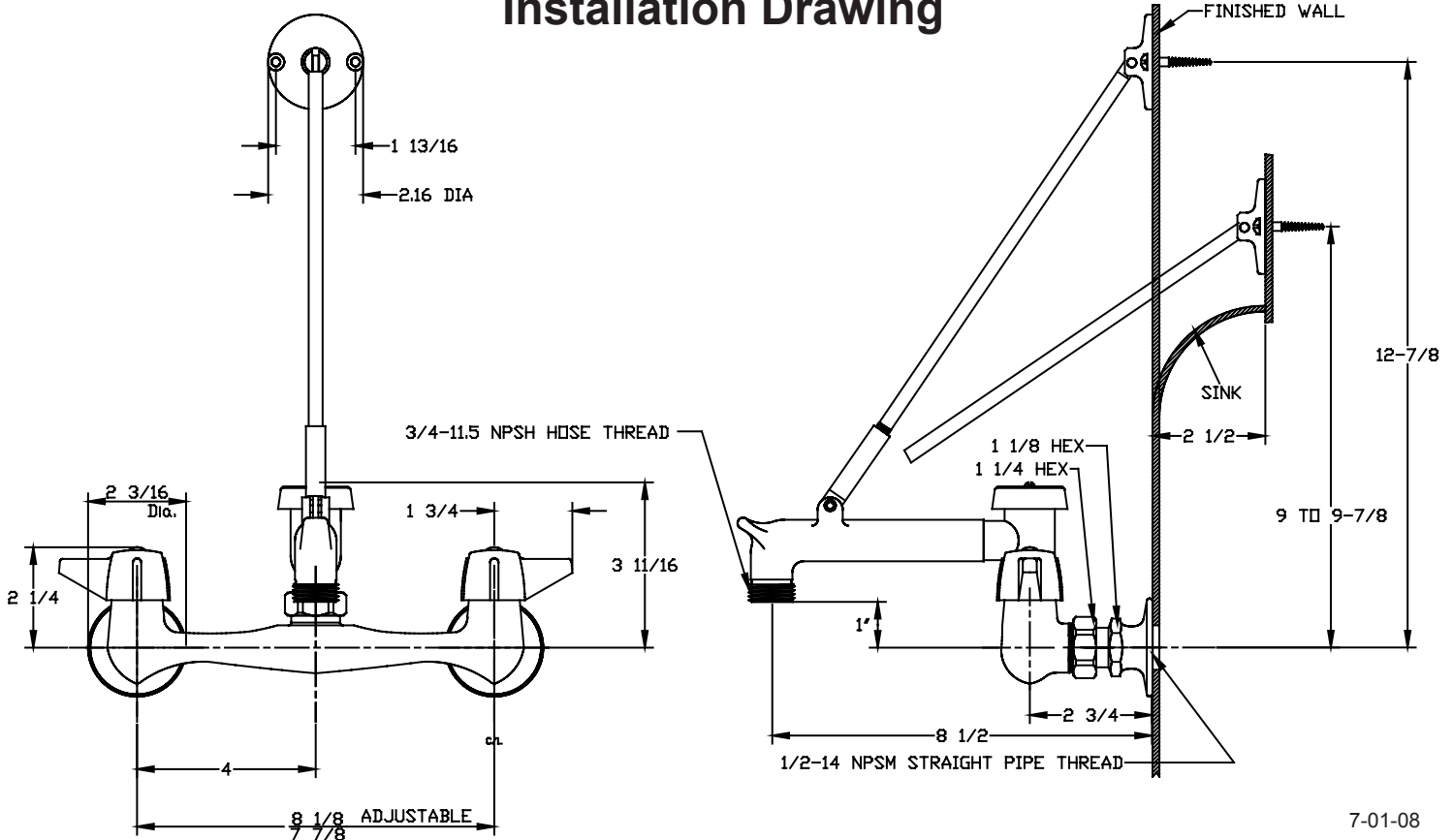
The wall mounted sink fitting is designed with a solid cast brass body with replaceable seats. The flanges are all brass and have 1/2-inch female pipe connections. The inlet supply location is adjustable by rotating the flange to obtain a 1/4-inch center variation. The rigid cast brass spout has a vacuum breaker and hose end outlet. The quarter-turn compression stems are all brass with a double O-Ring seal and rubber seat washer. The canopy handles are zinc die cast with a chrome plated finish. The faucet and flanges are polished and copper, nickel, and chrome plated.

ADA Compliant and Meets ASME A112.18.1M  
Meets ANSI/NSF Standard 61, Section 9, for Lead



**ADA Compliant**

## Installation Drawing



# Central Brass

C O M P A N Y

Brecksville, Ohio 44141

Phone: (216) 883-0220 Fax: (440) 526-5745

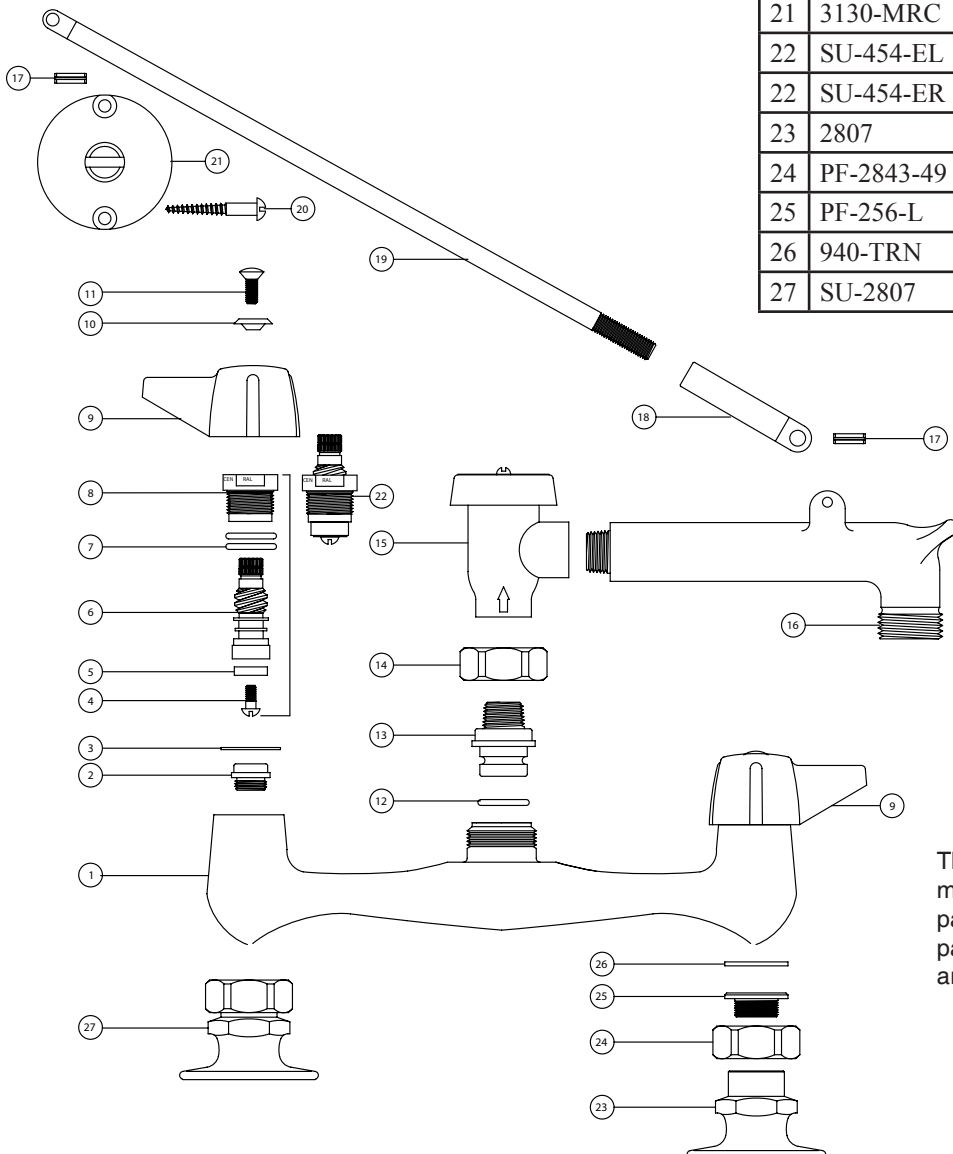
www.CentralBrass.com

**MODEL NO. 0054-URC-Q**  
**SERVICE SINK FAUCET**  
**ADA COMPLIANT**

## Parts Breakdown

#	Part #	Description
1	2831-RC	Brass Faucet Body
2	263-BC	Bronze Seat
3	1028-Y	Nylon Gasket
4	104	Brass Seat Washer
5	901-WNN	Seat Washer
6	454-FL	Brass Left Thread O-Ring Stem
6	454-FR	Brass Right Thread O-Ring Stem
7	1038-453	O-Ring
8	454-EC	Brass Left Thread O-Ring Bonnet
8	454-EH	Brass Right Thread O-Ring Bonnet
9	523-C	Handle Indexed "C"
9	523-H	Handle Indexed "H"

#	Part #	Description
10	107-FB	Blue Plastic Index
10	107-FR	Red Plastic Index
11	107-F	Brass Phillips Head Screw
12	1038-KN	O-Ring
13	PF-5355-A	Brass Adapter
14	PF-2843-49	Brass Hex Nut
15	5355	Vacuum Breaker
16	1615-54RC	Brass Spout
17	5355-P	Stainless Steel Pin
18	PF-5355-S	Brass Rod Adjuster
19	PF-5355-L	Brass Rod
20	PF-128-52	Brass Screw
21	3130-MRC	Brass Wall Bracket
22	SU-454-EL	Left Thread O-Ring Stem Assembly
22	SU-454-ER	Right Thread O-Ring Stem Assembly
23	2807	Brass Offset Flange
24	PF-2843-49	Brass Hex Nut
25	PF-256-L	Brass Spud
26	940-TRN	Washer
27	SU-2807	Brass Flange Assembly



The parts listed in the parts breakdown above may not be offered separately as replacement parts. Please review the Replacement Parts page for the authorized replacement parts that are available for this item.