

Central Brass

C O M P A N Y

Brecksville, Ohio 44141

Phone: (216) 883-0220 Fax: (440) 526-5745

www.CentralBrass.com

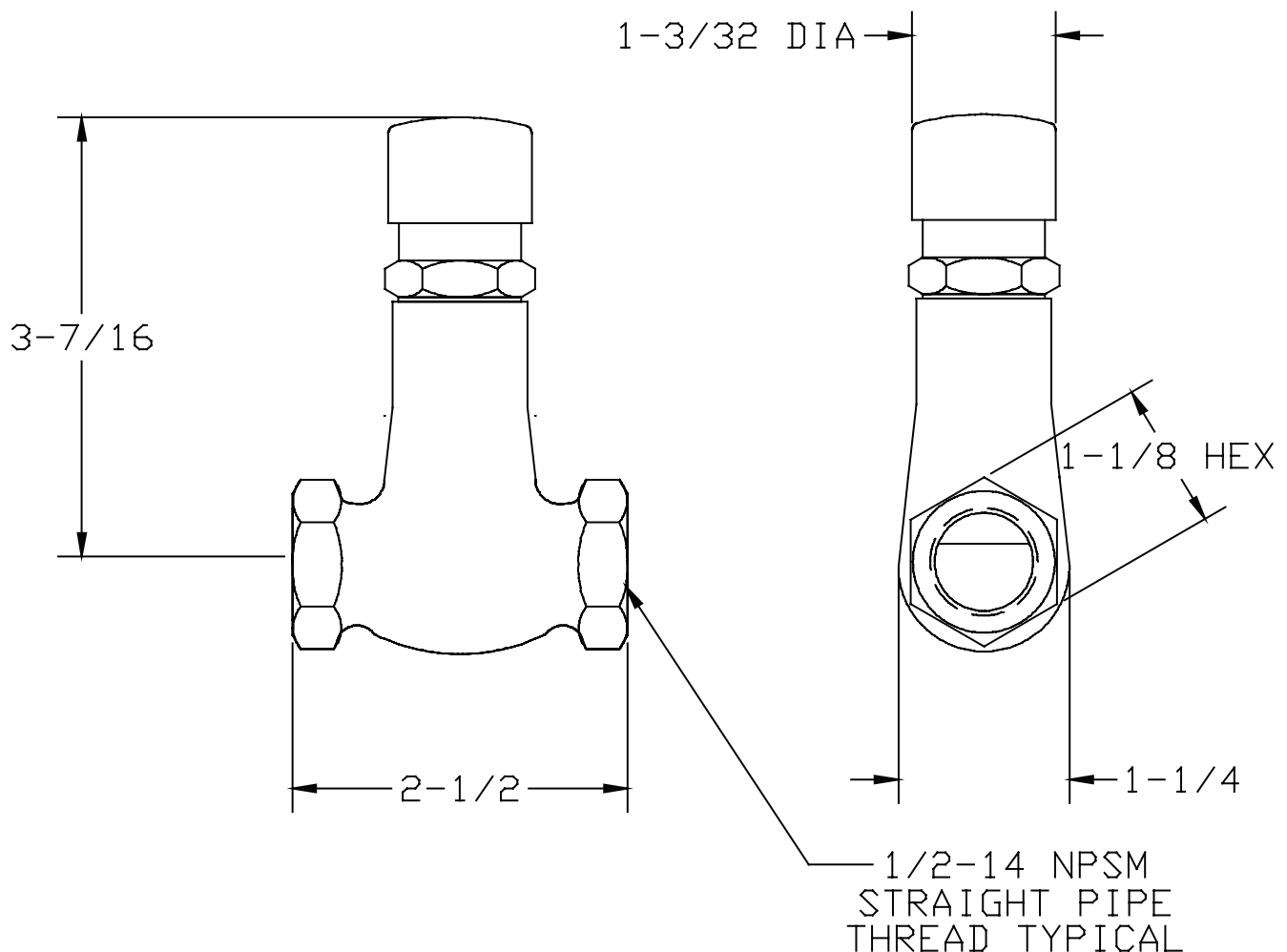
MODEL NO. 0336-1/2
SLOW CLOSING
STRAIGHT STOP

The slow closing straight stop has a cast brass body with a polished chrome plated finish. The brass push button handle is used to make the external adjustment to the cycle time. The button is then locked at the time setting with a set screw. The factory on time is set at the factory to approximately 3-1/2 seconds. Longer cycle time is possible with internal adjustments. All of the internal parts are brass or stainless steel. The seals and O-Rings are EPDM rubber. The bonnet gasket is nylon.



ASME A112.18.1M

Installation Drawing



Central Brass

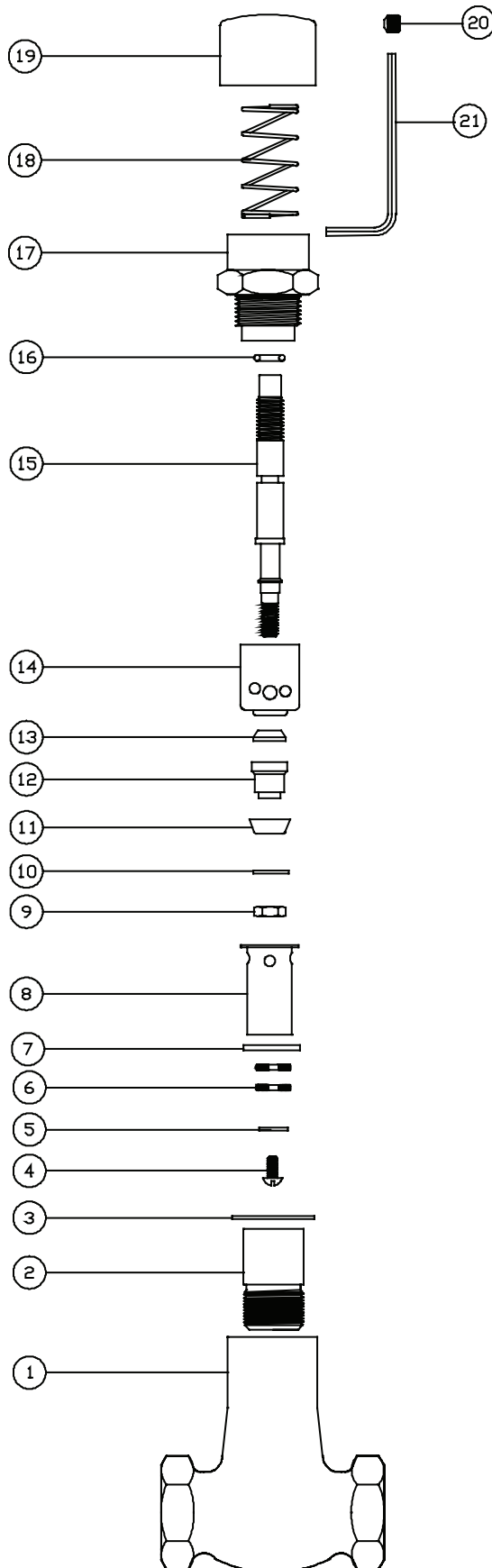
COMPANY

Brecksville, Ohio 44141

Phone: (216) 883-0220 Fax: (440) 526-5745

www.CentralBrass.com

MODEL NO. 0336-1/2
SLOW CLOSING
STRAIGHT STOP



Parts Breakdown

#	Part #	Description
1	7053-M	Brass Body
2	59-APS	Brass Seat
3	1028-Y	Nylon Gasket
4	170-K	Stainless Steel Screw
5	170-H	Brass Washer
6	170-J	Felt Washer
7	170-P	Gasket
8	PF-170-E	Brass Dashpot
9	PF-170-N	Brass Nut
10	279-L	Brass Washer
11	170-CW	Cup Washer
12	PF-170-D	Brass Holder
13	170-F	Seat Washer
14	353-S	Celcon Sleeve
15	PF-170-C	Brass Stem
16	1038-CRN	O-Ring
17	PF-170-B	Brass Bonnetq
18	170-L	Stainless Steel Spring
19	PF-170-AP	Brass Cap
20	103-HS	Stainless Steel Set Screw
21	170-WA	Steel Hex Wrence

The parts listed in the parts breakdown above may not be offered separately as replacement parts. Please review the Replacement Parts page for the authorized replacement parts that are available for this item.